

4591

Paddle Handle



BS EN 179:1998+A1: 2001 Classification Code 37601342B



ASSA ABLOY

Function

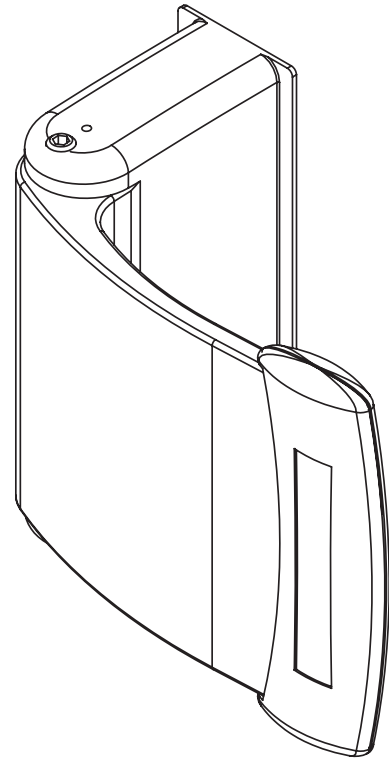
Designed for simple push or pull operation as an alternative to a lever handle, for use with the 4700/4900 series deadlatch (except 4750) and the MS+1890 latch/deadlock. Dogging comes as standard on all versions.

Note: When used on timber doors, a mounting plate must be used.

The push version of the 4591, when used on the 4710/4910 and 4720/4920 Series Deadlatch and used in conjunction with the 8460 Ramp Jaw Strikes or the 7108 and 7128 Electric Strikes, conforms to BS EN 179: 1998+A1: 2001 EC Certificate of Conformity number 1121-CPD-AB0011.

Specifications

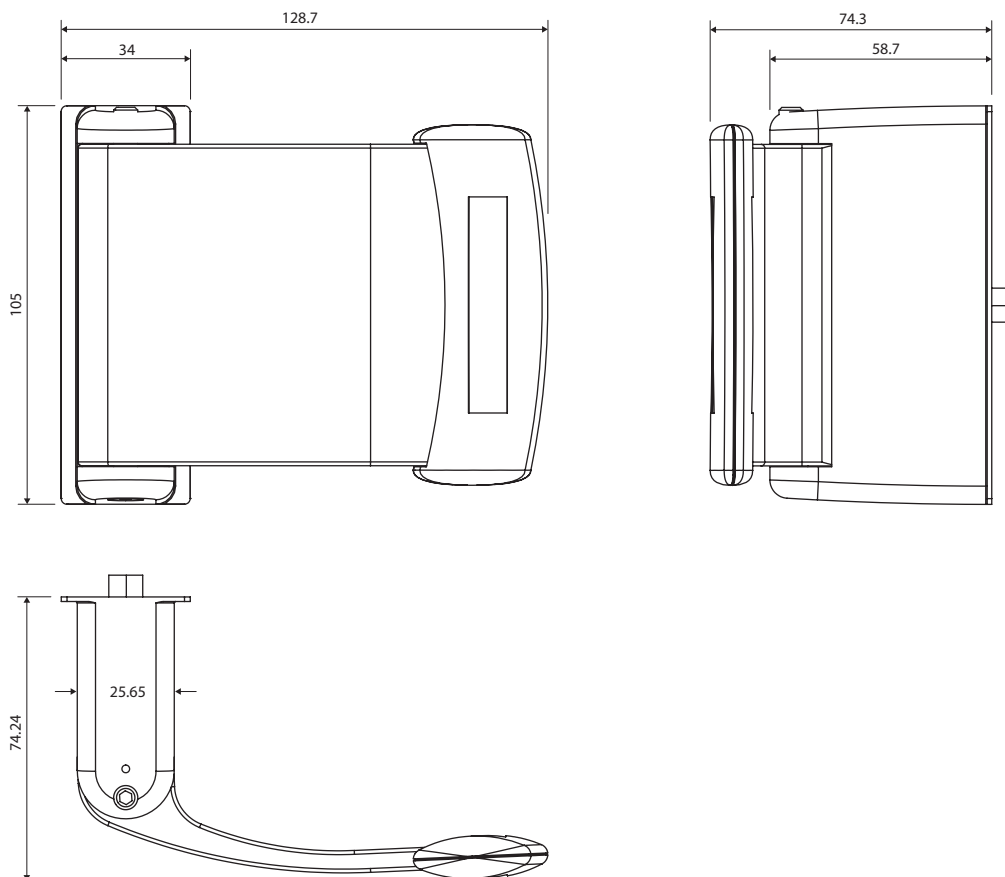
Escutcheon:	105mm x 34mm x 58.7mm (width of base flange). Zinc Alloy, Black finish.
Paddle:	85mm x 125mm. Maximum projection off face of door: 74.24mm. Extruded Aluminium, available in Satin Anodised, Dark Bronze, Black.
Spindle:	6.35mm (¼") on the diamond, heat treated. Interlocks with cam plug. Standard spindle lengths to suit 44.45mm (1¾") door thickness.
Operation:	Four modes: Push to Left, Push to Right, Pull to Left and Pull to Right.



Standards

In accordance with BS EN 179: 1998+A1: 2001 this product is designed to be used in emergency situations where people are familiar with the emergency exit and its hardware and therefore a panic situation is unlikely to develop. Where panic situations are foreseen, reference should be made to the Adams Rite 900 Series panic exit device range.

Dimensions



Shown at rest. Paddle travel: 50.8mm.

Ordering Codes

4591-01-01-628	Pull To Left Paddle Handle SAA Finish, c/w Cam Plug, 16mm spindle length for use with 4700/4900 Series
4591-11-00-628	Pull To Left Paddle Handle SAA Finish, 22mm spindle length for use with MS [®] +1890 Series
4591-03-01-628	Pull To Right Paddle Handle SAA Finish, c/w Cam Plug, 16mm spindle length for use with 4700/4900 Series
4591-13-00-628	Pull To Right Paddle Handle SAA Finish, 22mm spindle length for use with MS [®] +1890 Series
4591-02-01-628	Push To Left Paddle Handle SAA Finish, c/w Cam Plug, 16mm spindle length for use with 4700/4900 Series
4591-12-00-628	Push To Left Paddle Handle SAA Finish, 22mm spindle length for use with MS [®] +1890 Series
4591-04-01-628	Push To Right Paddle Handle SAA Finish, c/w Cam Plug, 16mm spindle length for use with 4700/4900 Series
4591-14-00-628	Push To Right Paddle Handle SAA Finish, 22mm spindle length for use with MS [®] +1890 Series
4591-00-628	Mounting Plate For 4590 Paddle Handle SAA Finish, for use with timber door

Note: 628 denotes Satin Anodised Finish - substitute 628 with 313 for Bronze, 335 for Black.
The 4591 is not suitable for use with the 4750 Deadlatch.

Related Hardware

MS[®]+1890 Latch/Deadlock ~ 8460 Ramp Jaw Strike (p22) ~ Mounting Plate for use with timber doors
4710/4910 Series Deadlatches ~ 4720ANSI/4920ANSI Series Deadlatches