

930 Series

Mortice Exit Device

T S BS EN 1125:1997+A1: 2001 Classification Code 37601322B



ASSA ABLOY

Function

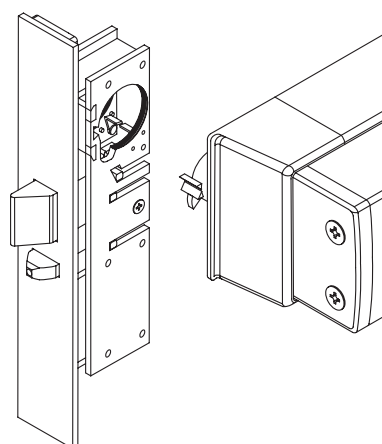
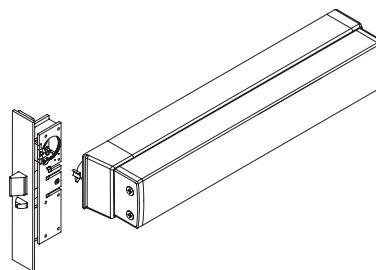
Life safety device designed to fit timber or hollow steel door applications. Available in two backset sizes, 38.1 mm and 69.9 mm to clear the deep stops of timber and hollow steel door jambs. Bar mounting screw access is from inside the bar only. The device has an all-steel latch case with an oil impregnated solid brass bolt and deadlatching mechanism. Unique tab system allows the flat faceplate to be used to suit bevelled door sections.

Options include: Monitoring or Cylinder Dogging. If required, the 930 Series will accept any standard mortice cylinder (with MS® cam) allowing key access from the external side of the door. A full range of Adams Rite Entry Trim is available.

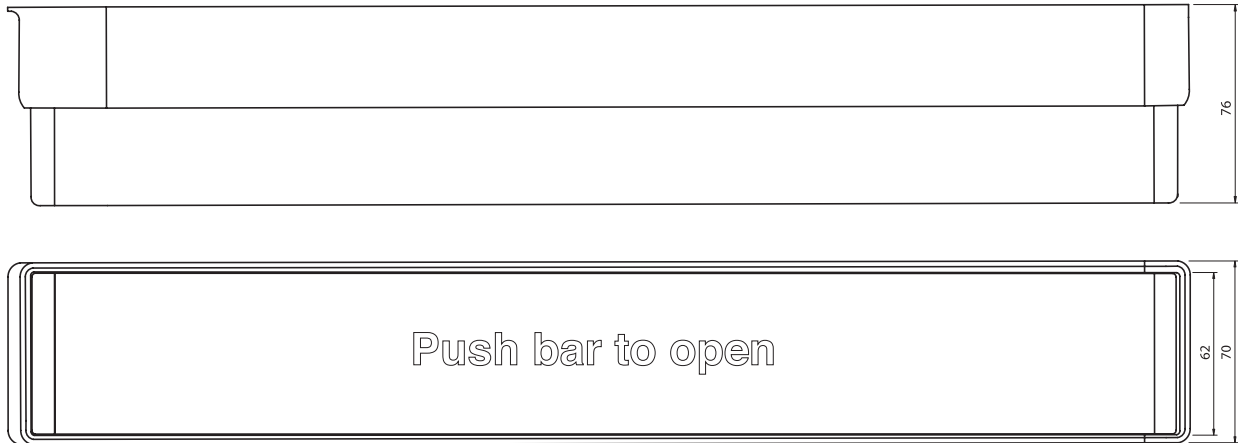
Note: As standard the 930 is designed to fit a 44.45 mm to 47 mm thick door section. Bars are available with an extended drive to suit thicker doors, however these are non-stock items and would be classed as a special order item.

Specifications

Projection:	76.5 mm from face of door.
Push Bar Face Width:	62 mm.
Back Bar Width:	70 mm.
Door Opening Widths:	Five standard sizes - 600 mm, 750 mm, 900 mm, 1050 mm, 1200 mm.
Width Variations:	See dimensional limitations on page 5.
Push Bar:	Extruded Aluminium Alloy. Removable for Polyester Powder Coating if required.
Dogging Facility:	Built-in. Operated by dogging key (two supplied). NOTE: Not available on 600 mm door opening width bar.
Case:	Steel with corrosion-resistant plating.
Latch Backsets:	38.1 mm and 69.9 mm.
Latch Bolt:	25.4 mm x 16 mm. Oil impregnated solid brass. Hardened steel internal pins, plus anti-pick baffle.
Bolt Throw:	15.3 mm.
Auxiliary Bolt:	Stainless Steel Pin.
Door Gap:	Maximum 5 mm.
Forend:	Steel, with aluminium faceplate.
Standards:	Independently tested to the requirements of BS EN 1125:1997+A1: 2001.
Handing:	Field adjustable.
Other:	'Push bar to open' sticker included.



Dimensions



Ordering Codes Matrix

930 - 01 - 3 - 8 0 4 - 628

Door Material

930 Timber/Hollow Metal

Options

- 00 Basic Model
- 01 Cylinder Dogging
- 02 Single Switch Monitoring
- 03 Double Switch Monitoring

Door Opening Width

- 1 600mm
- 2 750mm
- 3 900mm
- 4 1050mm
- 5 1200mm

Handing

- 7 RHR
- 8 LHR

Faceplate Shape

- 0 Flat

Backset

- 4 38.1mm
- 5 69.9mm

Finish

- 313 Dark 'Bronze' Aluminium
- 335 Black Aluminium
- 628 Satin Aluminium

Dimensional Limitations

SERIES	TYPE	BAR HEIGHT (MM)	MINIMUM DOOR HEIGHT (MM)	MAXIMUM DOOR HEIGHT (MM)	MAXIMUM DOOR OPENING WIDTH (MM)	MINIMUM DOOR OPENING WIDTH (MM)
930	Latch	900 1100	n/a	2500	1200	945
					1050	745
					900	745
					750	705
					600	475

Related Hardware

4036 Mortice Cylinder ~ 4056 Round Cylinder ~ MS® 4043 Cylinder Guard (steel doors only)

8066 Entry Trim (p10) ~ 3080 and 3080E Series Entry Trims (p12) ~ 7128 Electric Strike