

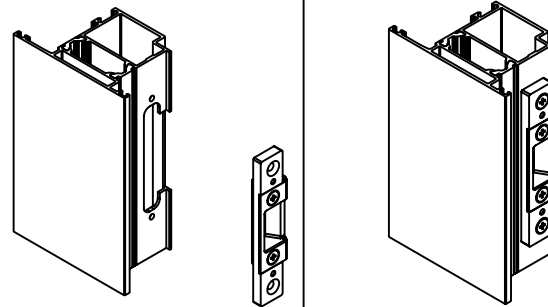
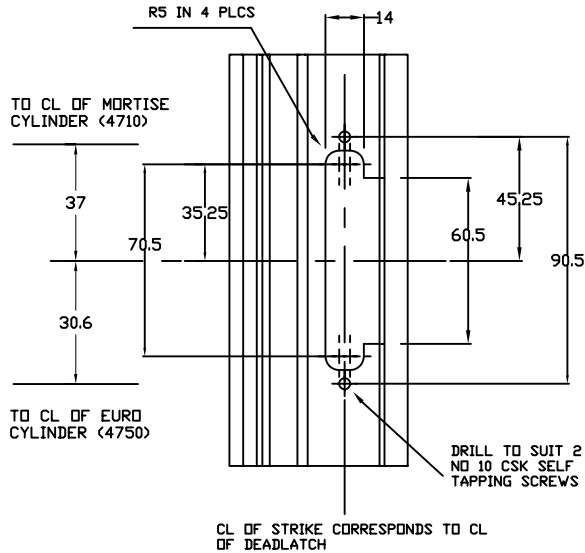
FITTING THE STRIKE PLATE

1. PREPARE THE DOOR STILE AS SHOWN.
2. SECURELY FASTEN THE STRIKE PLATE TO THE SECTION USING M5 SCREWS SUPPLIED.

PLEASE NOTE

THE STRIKE SHOULD BE POSITIONED TO CREATE A 4 MM GAP BETWEEN ITS FACE AND THE LOCK FACE. IN SOME INSTANCES PACKING MAY BE REQUIRED AND IT IS IMPORTANT THAT THIS IS SUFFICIENT TO FULLY SUPPORT THE STRIKE FOR THE PURPOSE IT HAS BEEN DESIGNED FOR.

IMPORTANT!
ONLY STRIKES FROM THE ADAMS RITE 8460 DR 7100 RANGES CAN BE USED IN ORDER TO COMPLY WITH BS EN 179 AND BS EN 1125.



ADAMS RITE EUROPE LIMITED
MORETON INDUSTRIAL ESTATE, LONDON ROAD, SWANLEY.
KENT, BR8 8TZ +44(0)1322 668024



CERTIFICATE OF CONFORMITY No. 1211-CPD-AB0012

8460-08-628 STRIKE FOR THERMALLY BROKEN DOORS