

# 4561 and 4565

## Lever Handle and Thumbturn

**A**



**ASSA ABLOY**

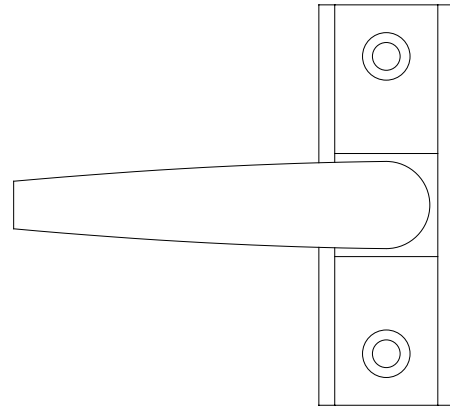
### Function

For operation of 4700 Series Deadlatches (except 4750) and MS®+1890 Latch/Deadlock. When used with 4700 Deadlatches an activator cam plug is incorporated that mounts on the handle escutcheon and fits solidly into the cylinder aperture. Downward action on lever handle or thumbturn retracts latchbolt.

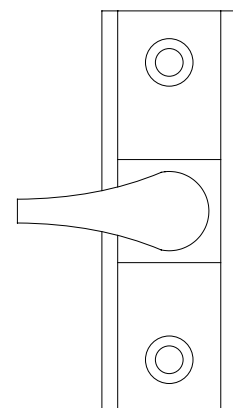
**Note:** The 4561 & 4565 are not intended for use as door pulls. Supplied non-handed, though re-handing to suit is easily accomplished via reversible cam plug. Suitable for 44.45mm (1 3/4") thick doors.

### Specifications

Escutcheon:	102mm x 34mm.
Material:	Black Satin Nylon (4561), Satin Chrome finish thumbturn (4565).
Spindle:	6.35mm (1/4") on the diamond, heat treated. Interlocks with cam plug.
Finishes:	Satin Aluminium, Black, Bronze (Ritecoat).
Cam Plug:	Supplied. Secured in latch by cylinder set-screw. Rigidly fixed to handle escutcheon by hardened steel pins. Handing reversible.

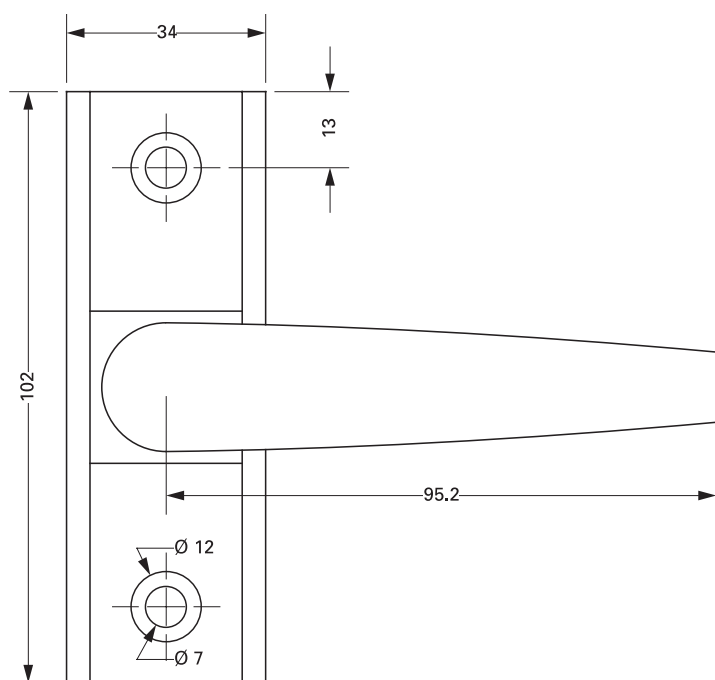


4561 Lever Handle

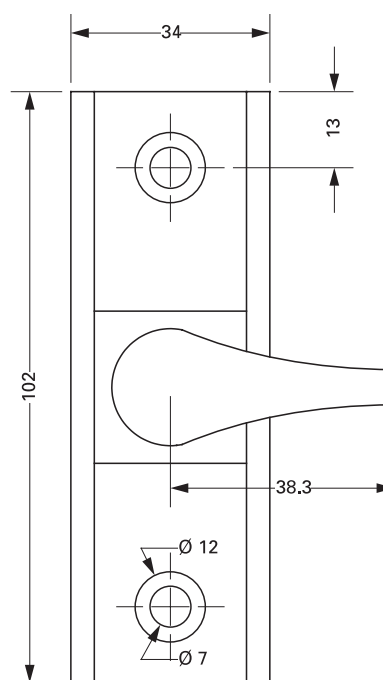


4565 Thumbturn

## Dimensions



4561 Lever Handle



4565 Thumbturn

## Ordering Codes

4561-001-119	Lever Handle Black Finish Escutcheon c/w Cam Plug, 16mm spindle length, for use with 4700 Series
4561-001-121	Lever Handle Bronze Finish Escutcheon c/w Cam Plug, 16mm spindle length, for use with 4700 Series
4561-001-130	Lever Handle SA Finish Escutcheon c/w Cam Plug, 16mm spindle length, for use with 4700 Series
4561-011-130	Lever Handle SA Finish Escutcheon, No Cam Plug, 16mm spindle length, for use with 4700 Series
4561-012-130	Lever Handle SA Finish Escutcheon, No Cam Plug, 22mm spindle length, for use with MS <sup>®</sup> +1890 Series
4565-001-119	Thumbturn Black Finish c/w Cam Plug, 16mm spindle length, for use with 4700 Series
4565-001-121	Thumbturn Bronze Finish c/w Cam Plug, 16mm spindle length, for use with 4700 Series
4565-001-130	Thumbturn SA Finish c/w Cam Plug, 16mm spindle length, for use with 4700 Series
4565-011-130	Thumbturn SA Finish, No Cam Plug, 16mm spindle length, for use with 4700 Series
4565-012-130	Thumbturn SA Finish, No Cam Plug, 22mm spindle length, for use with MS <sup>®</sup> +1890 Series

**Note:** 130 denotes Ritecoat Satin Aluminium finish-substitute with 119 for Black or 121 for Bronze Ritecoat finishes.  
The 4561 & 4565 are not suitable for use with the 4750 Deadlatch.

## Related Hardware

4710 Heavy Duty Deadlatch (p14) ~ 4720ANSI Deadlatch (p11) ~ MS<sup>®</sup>+1890 Latch/Deadlock (p20)