

# 4568

## Lever Handle

**A**



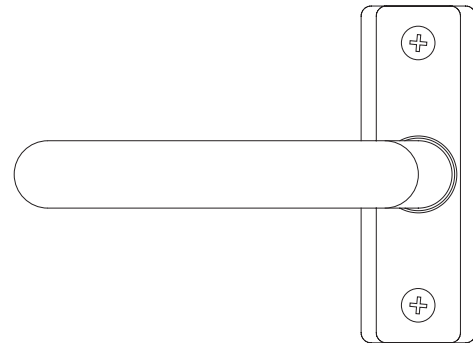
### Function

For operation of 4700 Series Deadlatches (except 4750) and MS®+1890 Latch/Deadlock. An activator cam plug is available separately that mounts on the handle escutcheon and fits solidly into the cylinder hole of the latch. Downward action on lever handle retracts latchbolt. When used with MS®+1890 Latch/Deadlock, 4580 Cam Plug is omitted and spindle is extended to 22mm.

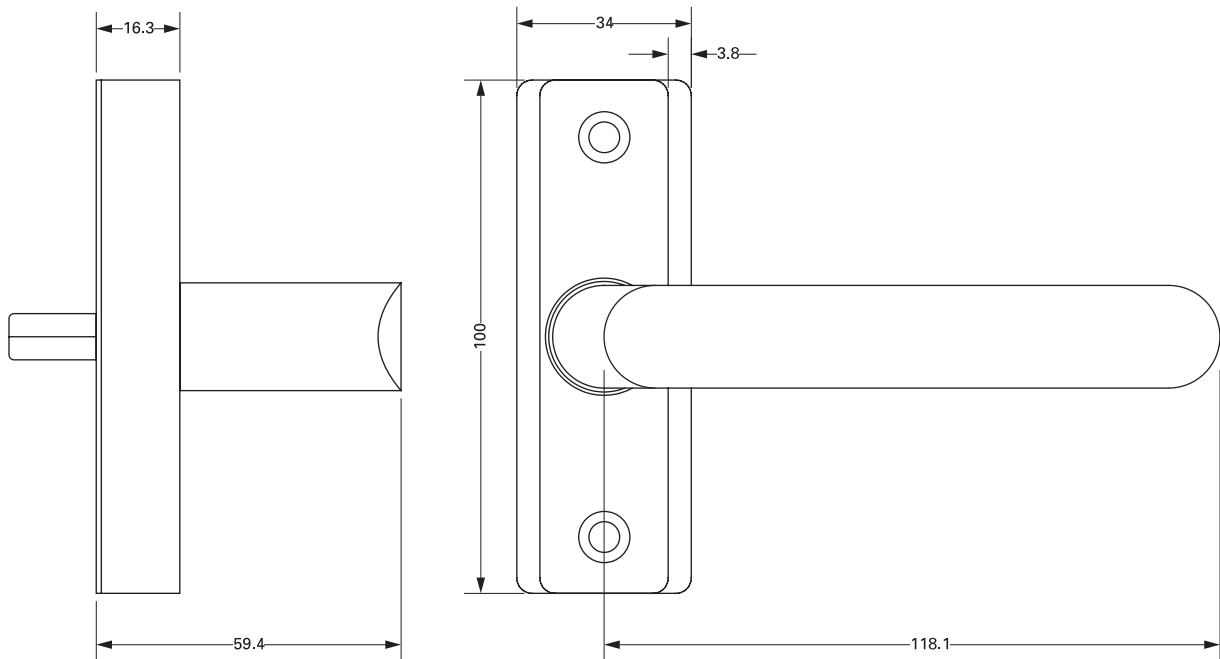
**Note:** This handle is not intended for use as a door pull. Supplied non-handed, though re-handing to suit is easily accomplished via reversible cam plug.

### Specifications

Escutcheon:	100mm x 34mm. Steel mounting base.
Material:	Cast aluminium.
Spindle:	6.35mm (1/4") on the diamond, heat treated. Interlocks with cam plug. Standard spindle lengths to suit 44.45mm (1 3/4") door thickness.
Finishes:	628 Satin Aluminium, 335 Black, 313 Bronze.
Cam Plug: (not supplied)	Secured in latch by cylinder set-screw. Rigidly fixed to handle escutcheon by hardened steel pins. Handing reversible.



## Dimensions



## Ordering Codes

4568-011-121	Lever Handle Bronze Anodised Aluminium Finish, 16mm spindle length for use with 4700 Series
4568-011-335	Lever Handle Black Anodised Aluminium Finish, 16mm spindle length for use with 4700 Series
4568-011-130	Lever Handle Satin Anodised Aluminium Finish, 16mm spindle length for use with 4700 Series
4568-012-121	Lever Handle Bronze Anodised Aluminium Finish, 22mm spindle length for use with MS®+1890 Series
4568-012-130	Lever Handle Satin Anodised Aluminium Finish, 22mm spindle length for use with MS®+1890 Series
4580	Cam Plug (reversible)

**Note:** Cam plug not included, order separately. Other sizes are available for thicker doors; contact the Customer Service Department for details. The 4568 is not suitable for use with the 4750 Deadlatch.

## Related Hardware

4710 Heavy Duty Deadlatch (p14) ~ 4720ANSI Deadlatch (p11) ~ MS®+1890 Latch/Deadlock (p20)