

4104 and 4075

Mounting Bridges and Installation Tool

A S



ASSA ABLOY

Function

The 4104 Mounting Bridges are for mounting MS® Deadlocks and Deadlatches in aluminium hollow door sections. Two screws enable a secure fix into the back wall of the section with the lockcase then mounting directly onto the bridge. Two bridges required per lockcase (supplied in pairs).

The 4075 Installation Tool securely holds the bridge whilst fitting and fixing into the narrow confines of a door cutout.

Specifications

4104 Mounting Bridges

Dimensions:

40-50mm x 32mm x 13.5mm.

Material:

Mild Steel.

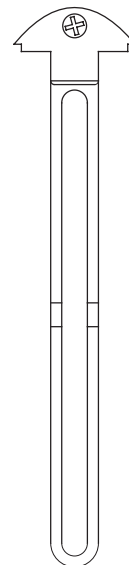
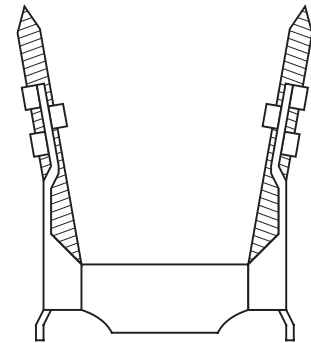
4075 Installation Tool

Dimensions:

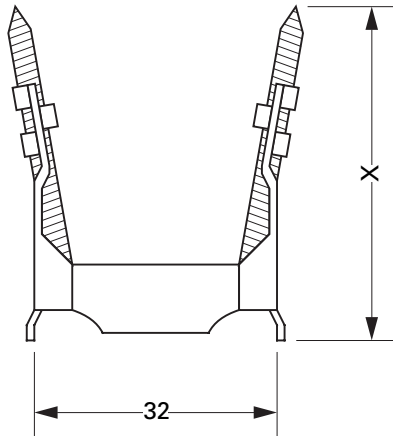
33mm x 152.5mm x 29.5mm.

Material:

Plastic.

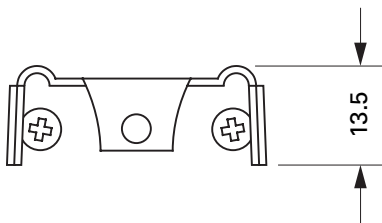


Dimensions

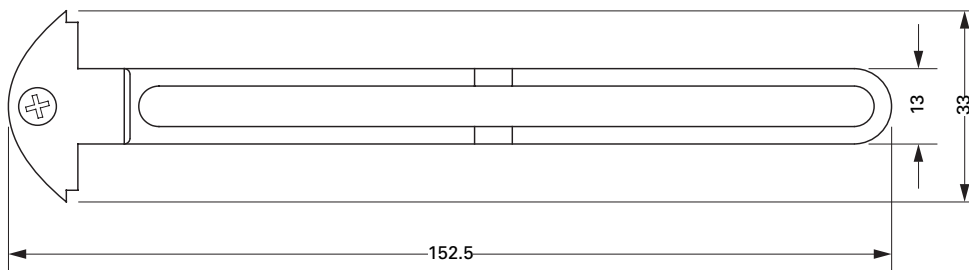


4104-01 Mounting Bridge

DIMENSION 'X':
MINIMUM = 40mm
MAXIMUM = 50mm



4075 Installation Tool



Ordering Codes

4104-01	Radius Mounting Clips In Pairs
4104-12	Flat Mounting Clips In Pairs
4075	Mounting Tool For Lock Mounting Bridges On Swing Door

Related Hardware

MS[®]1850S Maximum Security Deadlock (p4) ~ MS[®]2200 Maximum Security Deadlock (p8)

MS[®]+1890 Latch/Deadlock (p20) ~ 4710 Heavy Duty Deadlatch (p14) ~ 4750 Deadlatch (p18)