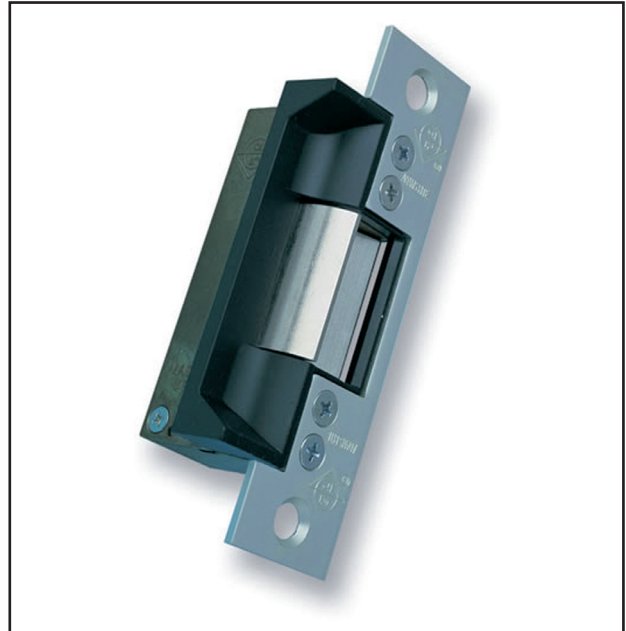


7140

Electric Strike for Single or Double Leaf Steel Doors



The Adams Rite 7100 Series is for remote use access control of any door equipped with Adams Rite 4700 series (or similar) deadlatch.



Key Benefits

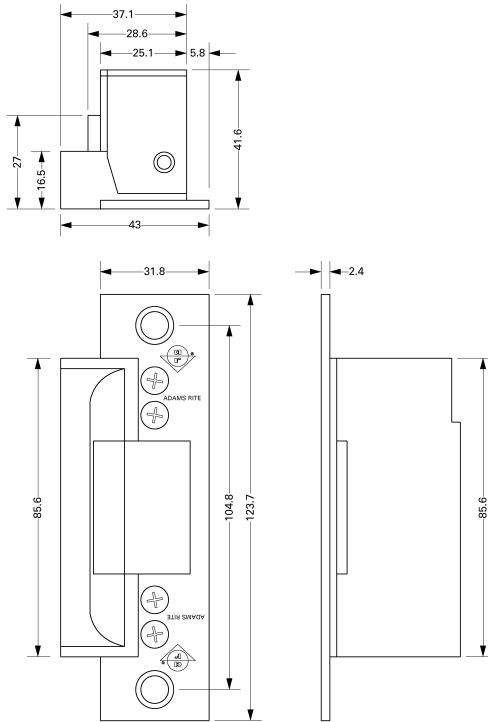
- Suitable for use on steel doors
- Non-handed
- Facility to change duty from fail-safe to fail secure and vice versa
- The compact mechanism fits into a jamb section as shallow as 44.45mm
- 907kg holding force (2000lbs)
- Flat faceplate
- Electrical actuation unlocks the strike jaw, releasing the latchbolt so the door can be opened without operating the latch itself
- Faceplate has square corners to aid installation into steel doors

Related Hardware

RiteKey Keypad ~ Push-to-Exit Button ~ Power Supply Unit ~ 4720ANSI Deadlatch

Note: For out of hours security specify the Sentinel 6 Deadlock in conjunction with the electric strike/latch combination.

Dimensions



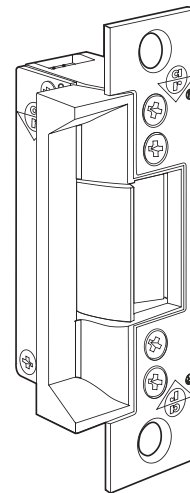
Specifications

Current Draw:	12vAC=1.48A, 12vDC=0.332A, 24vAC=0.74A, 24vDC=0.19A (nominal). DC intermittent and continuous units are silent, AC intermittent units "buzz" on operation.
Voltage Tolerance:	±10%.
Powered By:	Internal solenoid.
Monitoring:	(Optional) Single: Latch only, Double: Latch & solenoid.
Duty:	Fail-safe or fail-secure (convertible without additional parts). DC power supply required for fail-safe operation.
Jaw Strength:	907kg (2000lbs).
Case:	85.6mm x 28.6mm x 41.6mm. Zinc aluminium alloy.
Mechanism:	Stainless steel internal blocking mechanism.
Strike Opening:	36.5mm x 15.9mm x 12.7mm. Stainless steel bolt retainer jaw.
Door Gap:	Minimum 3mm (1/8"), operational door gap 3-5mm.
Faceplate:	Aluminium. 123.7mm x 31.8mm. Flat.
Finishes:	See ordering codes.
Subcover:	Basic subcover lip will suit a 44.45mm (1 3/4") thick door that closes flush with jamb edge. For extended bolt-on subcovers see ordering codes.
Standards:	ANSI/BHMA 156.5 Grade 1. UL Listed for burglary resistance.

Ordering Codes Matrix

7140 - 3 1 0 - 628 - 1

Model Number	7140
Voltage	3 12 volt 5 24 volt
Current and Duty	1 DC Continuous or intermittent 4 AC Intermittent (fail-secure only)
Features	0 Standard/Fail-Secure 5 Standard/Fail-Safe 7 Monitored/Fail-Safe 9 Monitored/Fail-Secure
Finish	628 Satin Aluminium 313 Bronze 335 Black
Options	1 Single Monitoring (Latch only) 2 Double Monitoring (Latch and Solenoid)



Subcover Extension Codes (order separately)

Order Code	Dimension*	Order Code	Dimension*
91-0171-01	38.1mm (1.50")	91-0171-08	60.5mm (2.38")
91-0171-02	41.4mm (1.63")	91-0171-09	63.5mm (2.50")
91-0171-03	44.5mm (1.75")	91-0171-10	66.8mm (2.63")
91-0171-04	47.8mm (1.88")	91-0171-11	69.9mm (2.75")
91-0171-05	50.8mm (2.00")	91-0171-12	73.2mm (2.88")
91-0171-06	54.1mm (2.13")	91-0171-13	76.2mm (3.00")
91-0171-07	57.2mm (2.25")		

*Dimension from door centreline to jamb edge.