

MS Maglock

Magnetic and Mechanical Lock



The Adams Rite MS Maglock is used to facilitate remote access and exit control.

The MS maglock is designed with two hardened steel mandibles which are spring loaded to clamp down on the armature in the event of a forced entry attempt.



Key Benefits

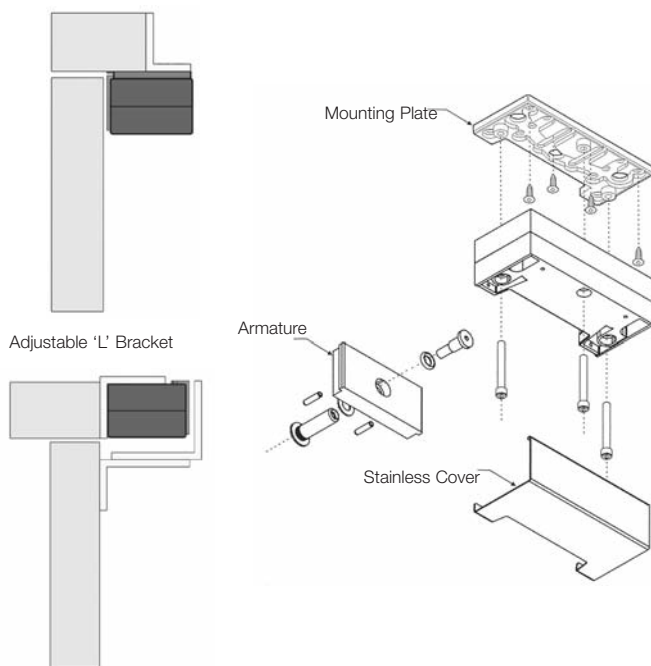
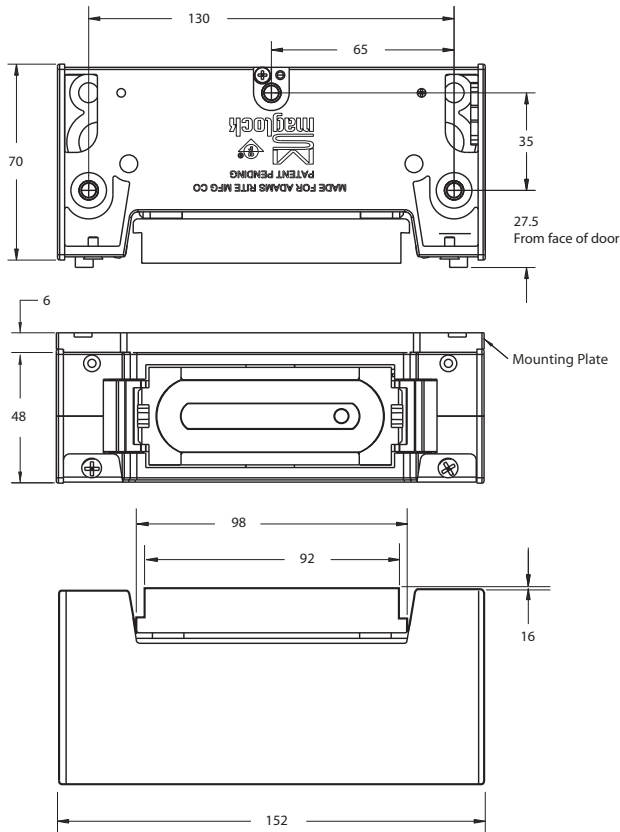
- Suitable for use on aluminium, timber and steel doors
- Holding force of 1800kilos (4000lbs) when mandibles are engaged
- Fail safe operation
- Suitable for aluminium, timber and steel doors
- Separate mounting plate for ease of installation
- Monitored as standard
- CE marked
- Brackets available to suit inward and outward opening doors

Related Hardware

4591M & 999M Monitored Paddle Handle & Exit Device Switching
Accessories ~ RiteKey Keypad ~ Push-to-Exit Button ~ Power Supply Unit

Note: For out of hours security specify the Sentinel 6 Deadlock in conjunction with the magnet.

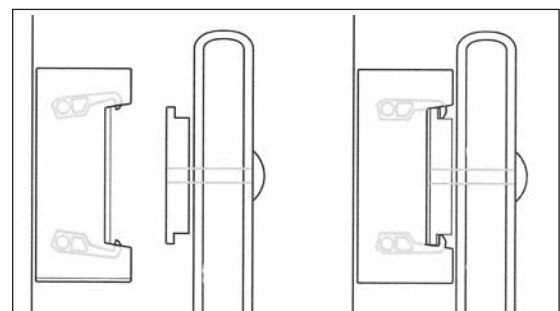
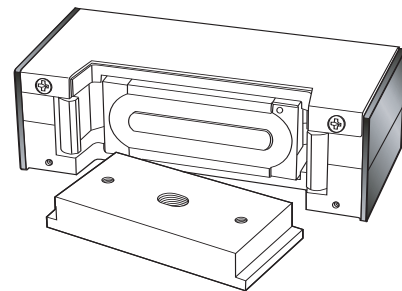
Dimensions



'L' and 'Z' Bracket

Specifications

Magnet Dimensions:	54mm x 152mm x 70mm.
Armature Dimensions:	16mm x 98mm x 48mm.
Nominal Holding Force:	1800kg (4000lbs), (see above).
Supply Voltage:	12 to 24v AC or DC (+10%).
Nominal Current:	130mA max. @ 12vAC, 250mA max. @ 24vAC, 100mA max. @ 12vDC, 200mA max. @ 24vDC.
Monitoring:	Door position and tamper sensors.
Door Gap:	Maximum 3mm.
Positioning:	Outward opening - surface mounted to door frame header. Inward opening - door frame header using 'L' & 'Z' brackets.
Magnet Housing:	Satin stainless steel with black end caps.
Note:	To achieve immediate release, it is important that the release switch breaks the circuit between the power supply and the magnet.
	International Patent Pending



The MS Maglock utilises a pair of hardened steel mandibles that spring out to grip the armature in the event of a forced entry.

Ordering Codes

- 1500M630** Surface mounted, magnetic & mechanical lock, 12-24v AC/DC, double monitored, suitable for timber or metal door applications.
- 1500-800** 'L' & 'Z' bracket, matt black finish.
- 1500-700** Adjustable 'L' bracket, matt black finish.
- 1500-600** Housing, stainless steel to suit adjustable 'L' bracket.