

# Surface Box

## For the 1391 Electric Solenoid Bolt

The Adams Rite Surface box is for use with the 1391 Electric Solenoid Bolt. It allows the solenoid bolt to be surface mounted onto any flush door and frame.



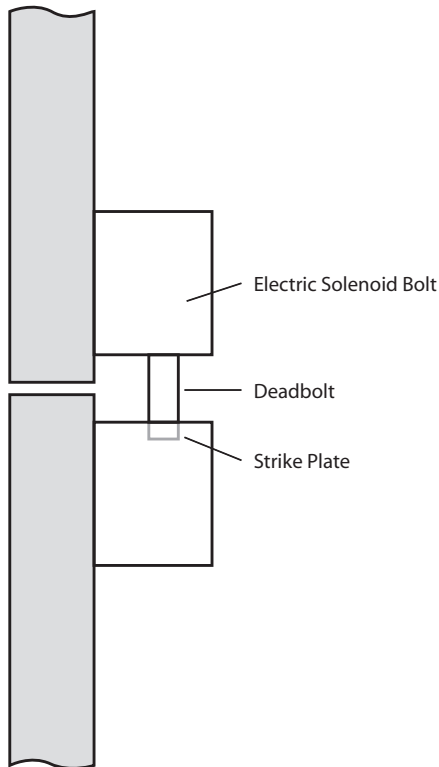
### Key Benefits

- Suitable for timber, glass or hollow metal door applications
- Brushed stainless steel finish
- Glass door brackets supplied for fitting to 10mm or 12mm thick glass doors.

### Related Hardware

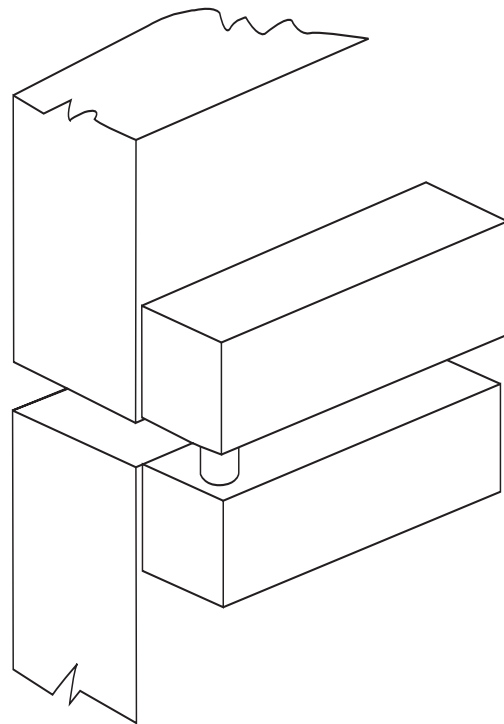
1391 Electric Solenoid Bolt

## Dimensions



## Specifications

<b>Dimensions:</b>	38mm x 205mm x 45mm.
<b>Surface Box Finish:</b>	Brushed stainless steel. Other finishes available on request.
<b>Door Gap:</b>	Recommended between 3mm to 5mm.
<b>Installation:</b>	Horizontal or vertical mounting.
<b>Note:</b>	Solenoid bolt to be ordered separately.



## Ordering Codes

**1391-3042** Surface Box for 1391 Electric Solenoid Bolt, Brushed Stainless Steel Finish

**Note:** Illustrations are not to scale.