

ARC-51 N

Overhead Concealed Door Closer and 'Springless' Pivot

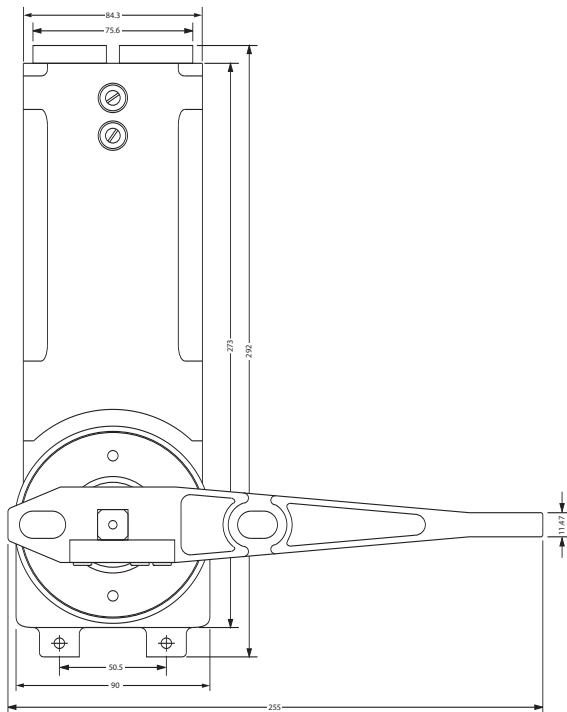
The Adams Rite ARC-51N is designed to provide a controlled closing of a single or double action aluminium door.



Key Benefits

- Suitable for use on Aluminium doors
- Tested to EN1154
- Tested to 500,000 cycles
- Dual closing speeds allowing flexibility in its closing action
- Three levels of spring strength
- Side load and end load versions available as standard
- Used successfully in security doorset testing
- Three spindle length options
- Spring less version fits standard section preparation
- Top arms and brackets to suit most applications
- Heavy duty pivot supplied as standard
- Body thickness only 37.4mm
- Heavy duty bottom pivot rated to maximum door weight 120kg

Dimensions



Spring Strength	Maximum Door Width	Maximum Door Height	Maximum Door Weight
Light	850mm	2500mm	40kg
Medium	950mm	2500mm	60kg
Heavy	1100mm	2500mm	80kg

Spindle Length	From body to end spindle	Total depth
14mm	18mm	56mm
18mm	22mm	60mm
22mm	26mm	64mm

Specifications

- Dimensions:** 292mm x 90mm.
- Concealed Thickness:** 37.4mm.
- Door Suitability:** See above for maximum door sizes/weights.
- Closing Speed:** Initial closing and latching speeds are factory preset and fully adjustable on site.
- Lubrication:** Stable hydraulic fluid suitable for most climatic conditions and constant lubrication.
- Features:** Built-in positive back stop and optional 90° hold open position.
- Note:** On single action centre-pivot doors it is recommended that a local door stop is fitted at the head to prevent the door swinging through when using electric strikes and latches.

Ordering Codes

Accessories

DC51-P-A1	ARC-51N STD SIDE LOAD ARM, CHANNEL & FIXING BLOCK. NO TAG PLATE
DC51-P-A2	ARC-51N SIDE LOAD ARM AFT, CHANNEL & FIXING BLOCK. NO TAG PLATE
DC51-P-A3	ARC-51N END LOAD ARM, CHANNEL & FIXING BLOCK. NO TAG PLATE
5100-0130	ARC-51N 70MM F BRACKET AND L BRACKET KIT FOR TRANSOM CLOSER
5100-0160	ARC-51N 65MM F BRACKET AND L BRACKET KIT FOR TRANSOM CLOSER
5100-0120	ARC-51N STD DUTY BOTTOM PIVOT ASSEMBLY
5110-0210	ARC 51N HEAVY DUTY BOTTOM PIVOT ASSEMBLY
5100-0111	ARC-51N BRANDED TAG PLATE C/W SCREWS

Transom Closer including accessories

5112-1010N	ARC-51N LIGHT SPRING CLOSER NHO SIDE LOAD 70MM PIVOT
5112-1990N	ARC-51N LIGHT SPRING CLOSER NHO SIDE LOAD AFT 70MM PIVOT
5112-1992N	ARC-51N LIGHT SPRING CLOSER NHO SIDE LOAD AFT 65MM PIVOT
5112-1995N	ARC-51N LIGHT SPRING CLOSER NHO END LOAD AFT 65MM PIVOT
5112-1997N	ARC-51N LIGHT SPRING CLOSER NHO END LOAD AFT 70MM PIVOT
5112-2010N	ARC-51N LIGHT SPRING CLOSER HO SIDE LOAD 70MM PIVOT
5112-2990N	ARC-51N LIGHT SPRING CLOSER HO SIDE LOAD AFT 70MM PIVOT
5112-2992N	ARC-51N LIGHT SPRING CLOSER HO SIDE LOAD AFT 65MM PIVOT
5112-2995N	ARC-51N LIGHT SPRING CLOSER HO END LOAD AFT 65MM PIVOT
5112-2997N	ARC-51N LIGHT SPRING CLOSER HO END LOAD AFT 70MM PIVOT
5113-1010N	ARC-51N MEDIUM SPRING CLOSER NHO SIDE LOAD 70MM PIVOT
5113-1990N	ARC-51N MEDIUM SPRING CLOSER NHO SIDE LOAD AFT 70MM PIVOT
5113-1992N	ARC-51N MEDIUM SPRING CLOSER NHO SIDE LOAD AFT 65MM PIVOT
5113-1995N	ARC-51N MEDIUM SPRING CLOSER NHO END LOAD AFT 65MM PIVOT
5113-1997N	ARC-51N MEDIUM SPRING CLOSER NHO END LOAD AFT 70MM PIVOT
5113-2010N	ARC-51N MEDIUM SPRING CLOSER HO SIDE LOAD 70MM PIVOT
5113-2990N	ARC-51N MEDIUM SPRING CLOSER HO SIDE LOAD AFT 70MM PIVOT
5113-2992N	ARC-51N MEDIUM SPRING CLOSER HO SIDE LOAD AFT 65MM PIVOT
5113-2995N	ARC-51N MEDIUM SPRING CLOSER HO END LOAD AFT 65MM PIVOT
5113-2997N	ARC-51N MEDIUM SPRING CLOSER HO END LOAD AFT 70MM PIVOT
5114-1010N	ARC-51N HEAVY SPRING CLOSER NHO SIDE LOAD 70MM PIVOT
5114-1990N	ARC-51N HEAVY SPRING CLOSER NHO SIDE LOAD AFT 70MM PIVOT
5114-1992N	ARC-51N HEAVY SPRING CLOSER NHO SIDE LOAD AFT 65MM PIVOT
5114-1995N	ARC-51N HEAVY SPRING CLOSER NHO END LOAD AFT 65MM PIVOT
5114-1997N	ARC-51N HEAVY SPRING CLOSER NHO END LOAD AFT 70MM PIVOT
5114-2010N	ARC-51N HEAVY SPRING CLOSER HO SIDE LOAD 70MM PIVOT
5114-2990N	ARC-51N HEAVY SPRING CLOSER HO SIDE LOAD AFT 70MM PIVOT
5114-2992N	ARC-51N HEAVY SPRING CLOSER HO SIDE LOAD AFT 65MM PIVOT
5114-2995N	ARC-51N HEAVY SPRING CLOSER HO END LOAD AFT 65MM PIVOT
5114-2997N	ARC 51N HEAVY SPRING CLOSER HO END LOAD AFT 70MM PIVOT

Springless Door Pivot

5119-0010N	ARC-51N LESS SPRING SIDE LOAD 70MM PIVOT
5119-0090N	ARC-51N LESS SPRING SIDE LOAD AFT 70MM PIVOT
5119-0092N	ARC-51N LESS SPRING SIDE LOAD AFT 65MM PIVOT
5119-0095N	ARC-51N LESS SPRING END LOAD AFT 65MM PIVOT
5119-0097N	ARC-51N LESS SPRING END LOAD AFT 70MM PIVOT

Note: This list covers standard 14mm length spindle options, for different lengths replace the 3rd digit in code with a '4' for 18mm and '2' for 22mm