

3080 & 3080E Series

Standard and Electrified Entry Trims

The Adams Rite 3080 and 3080E standard and electrified entry trims are supplied for use with the Adams Rite 900 series Touch Bar Exit Devices, 4710/4720 series Deadlatches and the 4781 two point latch.



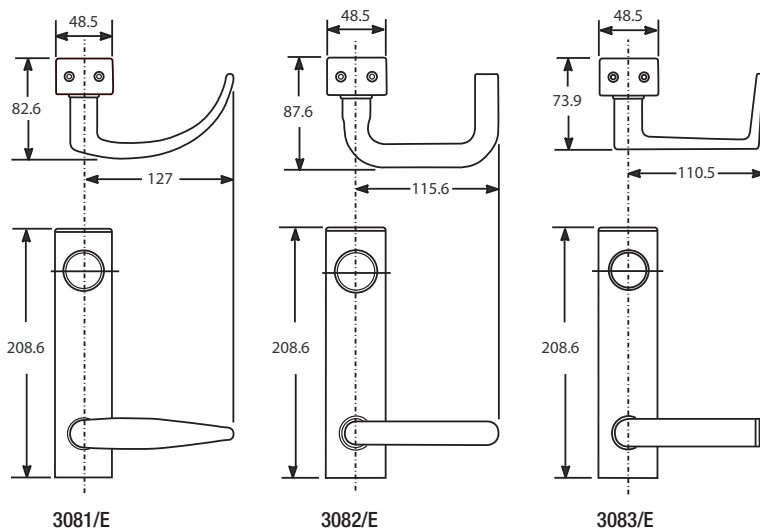
Key Benefits

- Suitable for use on aluminium, timber and steel doors.
- The 3080 and the 3080E have cylinder operation facility allowing key holder control.
- The 3080 series feature an innovative clutch that protects a locked lever against upward and downward pull.
- The 3081E/3082E/3083E models are identical in appearance to the standard versions, but are suitable for use with most access control systems.
- Range of finishes: dark bronze, black and silver. Special finishes available on request.
- AV in 12v or 24v DC options.

Related Hardware

900 Series Panic Exit Device Range ~ 4710/4910 Series Deadlatches ~
4720ANSI/4920ANSI Series Deadlatches
4036 Cylinders ~ 4781 Two Point Latch ~ 4591 Paddle Handle

Dimensions



Ordering Codes

Standard Models

3081-3U-626	Entry Trim with cylinder cutout
3082-3U-626	Entry Trim with cylinder cutout
3083-3U-626	Entry Trim with cylinder cutout

Electrified 'E' Models

3081E-3U-35-626	12vDC Fail Safe with cylinder cutout
3081E-3U-30-626	12vDC Fail Secure with cylinder cutout
3082E-3U-35-626	12vDC Fail Safe with cylinder cutout
3082E-3U-30-626	12vDC Fail Secure with cylinder cutout
3083E-3U-35-626	12vDC Fail Safe with cylinder cutout
3083E-3U-30-626	12vDC Fail Secure with cylinder cutout

Note: 24vDC and models without cylinder cutout are also available upon request.

Specifications

Dimensions:	See opposite.
Material:	Mild steel body, with clip-on stainless steel trim and zinc alloy lever.
Projection:	See opposite.
Cylinder:	Any standard 29.4mm mortice cylinder with MS® cam (not supplied).
Standards:	All models ANSI/BHMA Grade 1.
Finishes:	Dark bronze, black, silver.
Override:	Available with or without cylinder override.
Electrified 'E' Version:	
Current draw:	12vDC=0.5A, 24vDC=0.25A.
Voltage tolerance:	±10%.
Operation:	Fail-safe or fail-secure.

