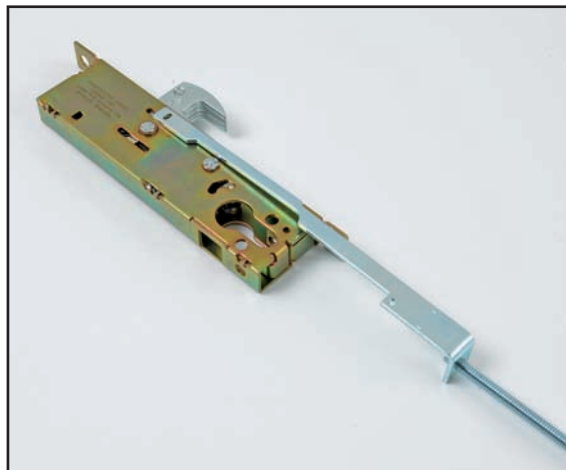


# 4015 and 4022

## Threshold Bolts for MS®1850 and MS®2200 Deadlocks

The Adams Rite 4015 and 4022 threshold bolts for MS® 1850 and MS® 2200 Deadlocks provide additional locking points to the threshold.



### Key Benefits

- Suitable for use on aluminium and steel doors.
- The 4022 is designed to give second or third point locking to any MS® 2200 series Deadlock; a second 4022 is simply added to provide the third locking point.
- The 4015 has additional locking points to threshold.
- The 4015 can be added to any version of 1850 deadlatch.

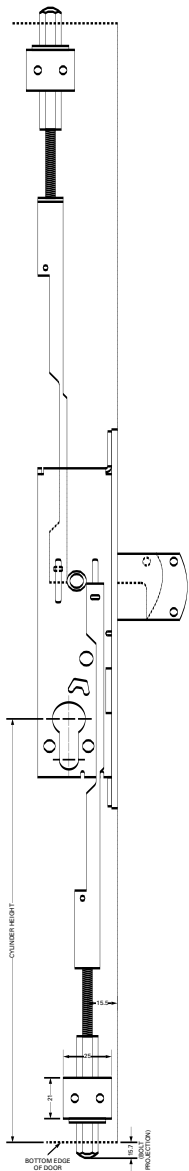
### Related Hardware

MS®1850S Maximum Security Deadlock ~ MS®1850SNSI Maximum Security Deadlock ~ MS®2200 Maximum Security Deadlock

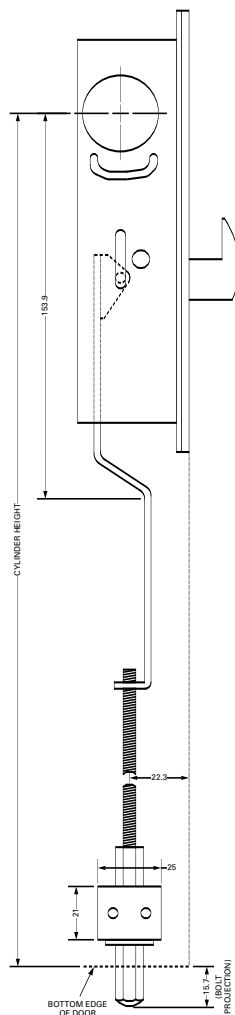
## Dimensions

**4022-18** for use with MS®2200 Deadlock.

**Note:** Two required for top and bottom locking.

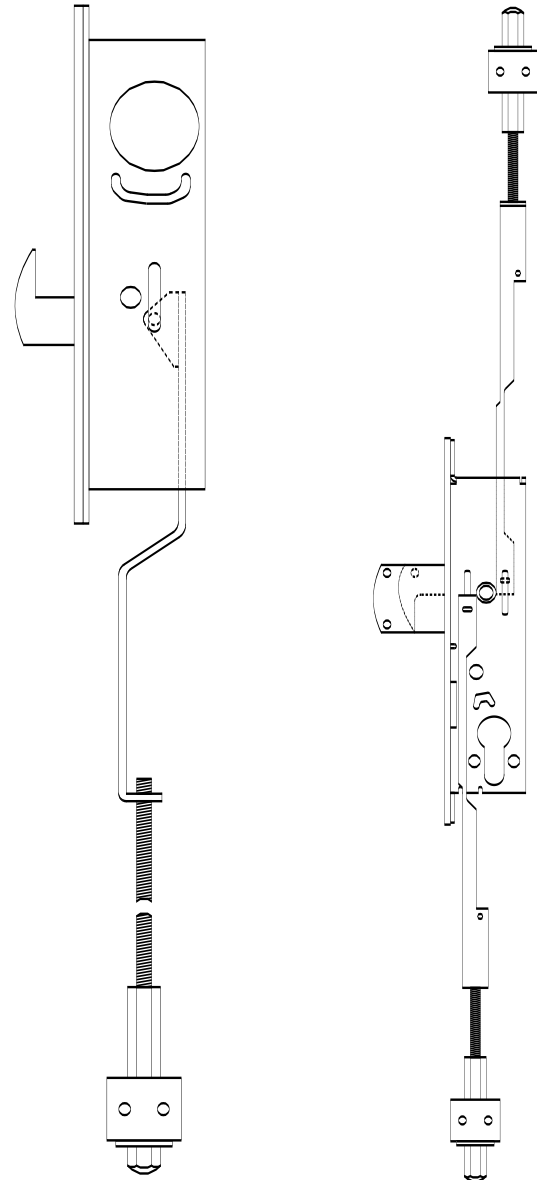


**4015-18** for use with MS®1850 Deadlock.



## Specifications

<b>Cylinder Height:</b>	1333mm maximum (4015) 1300mm maximum (4022 2 & 3-point).
<b>Door Height:</b>	2600mm maximum (4022 3-point).
<b>Material:</b>	Mild Steel.
<b>Thread:</b>	1/4" Whitworth.
<b>Operation:</b>	Turn of key; rods move as deadbolt pivots.



## Ordering Codes

**4015-18** Rod & Bolt Kit for MS®1850 Deadlock for use with swing door

**4022-18** Rod & Bolt Kit for MS®2200 Deadlock for use with swing door