

4070

Deadlock

The Adams Rite 4070 Deadlock is for use where a long throw maximum security deadlock cannot be accommodated.



Key Benefits

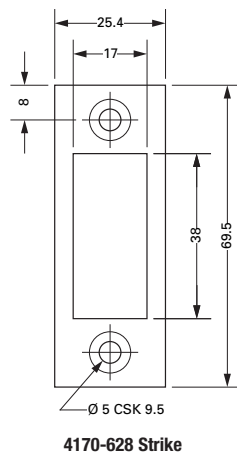
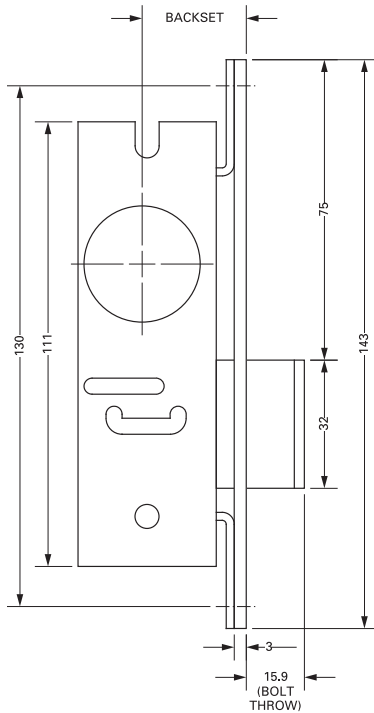
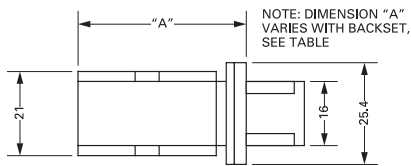
- Operation is via standard mortice cylinder or thumbturn with (modified cam) from either or both sides.
- Suitable for use on aluminium and steel doors.
- Offers longest practical throw for a conventionally projected bolt from a narrow stile.

Note: Cylinders, thumbturns, faceplates and strikes not supplied as standard; order separately.

Note: Standard 29.4mm (1 5/32") Mortice Cylinders can be used when fitted with the supplied modified cam.

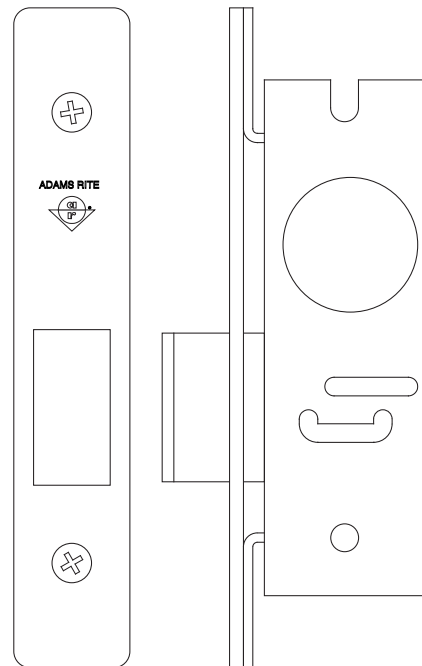
Dimensions

Backset	Dimension "A"
22.2mm (7/8")	38.6mm (1.52")
24.6mm (31/32")	41.7mm (1.64")
28.6mm (1 1/8")	45.0mm (1.77")



Specifications

Overall Case Size:	143mm x 25.4mm x 38.6mm - 22.2mm Backset (7/8") 143mm x 25.4mm x 41.7mm - 24.6mm Backset (31/32") 143mm x 25.4mm x 45.0mm - 28.6mm Backset (1 1/8").
Case:	Steel with corrosion-resistant plating.
Backset:	22.2mm, 24.6mm, 28.6mm.
Lock Bolt:	32mm x 16mm.
Lock Bolt Throw:	15.9mm.
Cylinder:	Any standard 29.4mm (1 5/32") Mortice Cylinder or Thumbturn with modified cam.
Operation:	180° turn of key (or thumbturn) projects or retracts bolt.
Door Gap:	Maximum 3mm.
Forend:	Steel, with aluminium faceplate (flat or radius).
Strike Plate:	69.5mm x 25.4mm x 3mm.



Ordering Codes

Lock Bodies

4070-10	Deadlock 22.2mm (7/8") Backset
4070-20	Deadlock 24.6mm (31/32") Backset
4070-30	Deadlock 28.6mm (1 1/8") Backset

Faceplates

24-4070-000-628	4070 Faceplate Flat SAA Finish
24-4070-100-628	4070 Faceplate Radius SAA Finish

Strikes

4170-628	Trim Strike Aluminium For 4070 Deadlock
-----------------	---

Thumbturns

4066-02-628	Mortice Thumbturn SAA for use with 4070 Series (c/w modified cam)
--------------------	---