

# 4596

## Europrofile Operation Paddle Handle



BS EN 179:2008  
Classification Code 37601342BA/O

The Adams Rite 4596 paddle handle is designed for simple push or pull operation as an alternative to a lever handle



### Key Benefits

- Suitable for use on aluminium and timber doors.
- Suits door thickness of 45, 52 and 54mm.

- The 4596 when used on the 4750 Deadlatch and used in conjunction with the 8461 Ramp Jaw Strikes or the 7108 and 7128 Electric Strikes, conforms to BS EN179:2008 EC Certificate of conformity number 1121-CPD-ABBO13

### Standards

In accordance with BS EN 179: 1998+A1: 2001 this product is designed to be used in emergency situations where people are familiar with the emergency exit and its hardware and therefore a panic situation is unlikely to develop. Where panic situations are foreseen, reference should be made to the Adams Rite 900 Series panic exit device range.

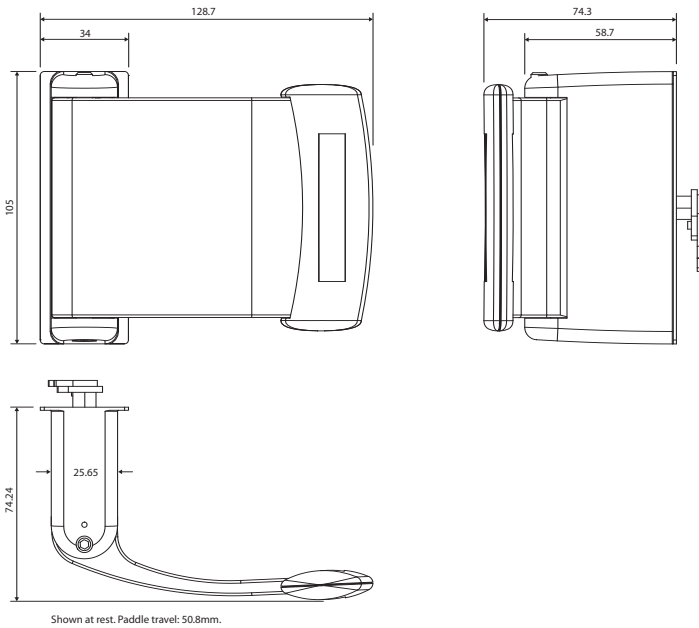
### Related Hardware

4750 Deadlatch ~ 8460 Ramp Jaw Strike

**Note:** When fitting with a 1/2 cylinder use 61-00-30-0-1

**Note:** Kitemarked cylinder

## Dimensions

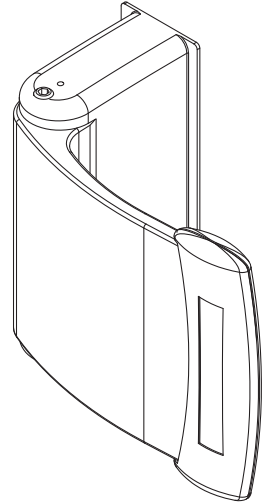


## Specifications

<b>Escutcheon:</b>	105mm x 34mm x 58.7mm (width of base flange). Zinc Alloy, Black finish.
<b>Paddle:</b>	85mm x 125mm. Maximum projection off face of door: 74.24mm. Extruded Aluminium, available in Satin Anodised, Dark Bronze, Black.
<b>Spindle:</b>	6.35mm (1/4") on the diamond, heat treated. Interlocks with cam plug. Standard spindle lengths to suit 44.45mm (1 3/4") door thickness. Cam on end of spindle
<b>Operation:</b>	Four modes: Push to Left, Push to Right, Pull to Left and Pull to Right.

## Standards

In accordance with **BS EN 179: 1998+A1: 2001** this product is designed to be used in emergency situations where people are familiar with the emergency exit and its hardware and therefore a panic situation is unlikely to develop. Where panic situations are foreseen, reference should be made to the Adams Rite 900 Series panic exit device range.



## Ordering Codes

<b>4596-01-01-628</b>	Pull To Left Euro Paddle Handle SAA Finish (for 44mm doors)
<b>4596-03-01-628</b>	Pull To Right Euro Paddle Handle SAA Finish (for 44mm doors)
<b>4596-02-01-628</b>	Push To Left Euro Paddle Handle SAA Finish (for 44mm doors)
<b>4596-04-01-628</b>	Push To Right Euro Paddle Handle SAA Finish (for 44mm doors)

**Note:** 628 denotes Satin Anodised Finish - substitute 628 with 313 for Bronze, 335 for Black.