

6201

Flushbolt

The Adams Rite 6201 Flushbolt is used for securing the slave leaf of a pair of doors.

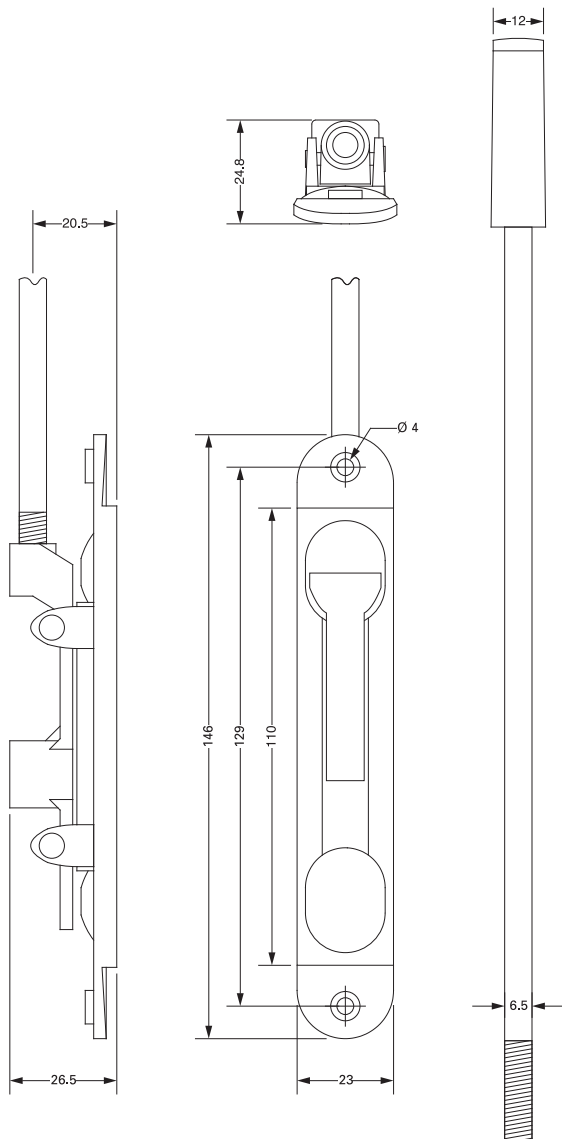
Standard installation requires two flushbolts, morticed into the top and bottom of the door.



Key Benefits

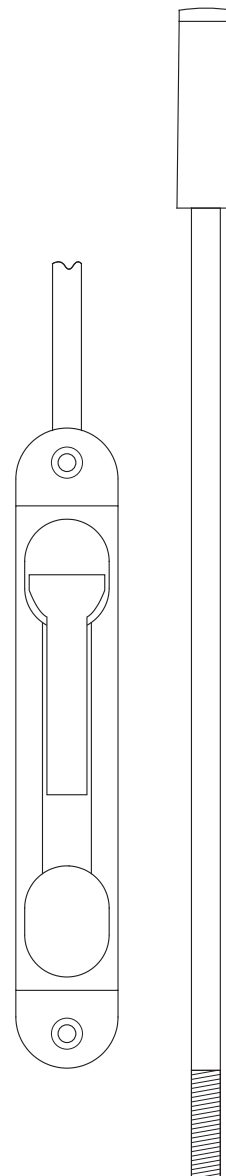
- Suitable for use on aluminium doors.
- Flat or radius
- Operating lever is hidden when doors closed.
- Satin chrome finish
- Hardened steel bolt, zinc plated with anti-rattle sleeve

Dimensions



Specifications

Dimensions:	305mm x 23mm x 24.8mm.
Case:	Die-cast zinc alloy body mechanism.
Bolt:	Hardened Steel Bolt, Zinc-Plated, Anti-Rattle Sleeve.
Bolt Throw:	18mm.
Rod:	7mm Zinc-Plated Steel, 40mm thread length.
Finish:	Satin Chrome.
Brackets:	Not supplied.



Ordering Codes

6201-6-12	Flush Bolt Flat 12" Rod Satin Chrome Finish
6201-7-12	Flush Bolt Radius 12" Rod Satin Chrome Finish
6201-01	Flush Bolt Guide