

MS[®]1850S

Maximum Security Deadlock

The Adams Rite MS[®] 1850 deadlock provides maximum security locking for both swing and sliding aluminium doors.



Key Benefits

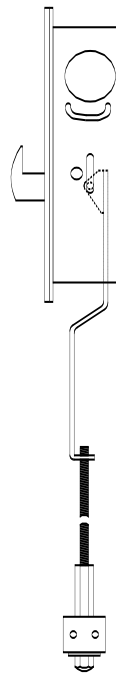
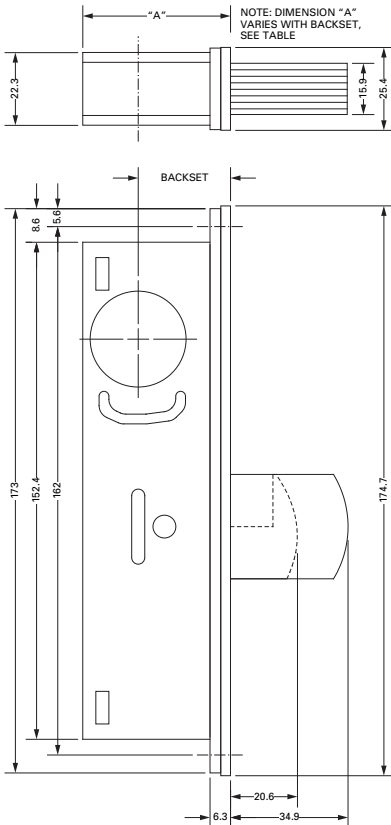
- Suitable for use on aluminium doors.
- Armoured strikes and cylinder guards.
- Tested to 50,000 cycles.
- 2 point locking available using 4015-18 threshold bolt.
- Available in hook and bar bolt version.
- Interchangeable without stile modification.
- Monitored version available.

Related Hardware

4104 Mounting Bridges ~ Round Mortice Cylinders ~ MS[®]4043
Cylinder Guard Round Thumbturns ~ MS[®] 4000 Armoured Parts ~
4015 Threshold Bolt

Dimensions

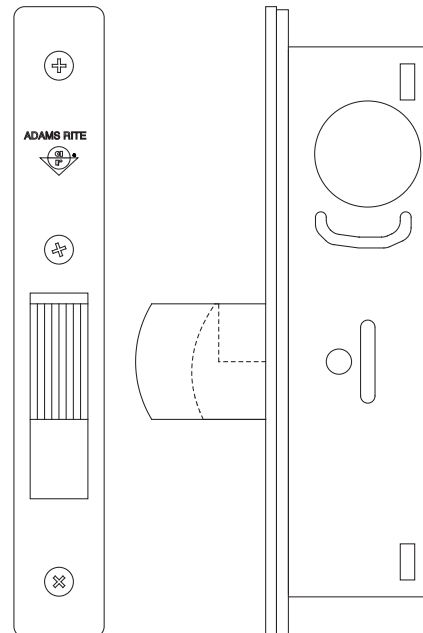
Backset	Dimension "A"
22.2mm (7/8")	39.9mm (1.57")
24.6mm (31/32")	41.4mm (1.63")
28.6mm (1 1/8")	45.2mm (1.78")
38.1mm (1 1/2")	57.1mm (2.25")



Optional
4015-18
Threshold Bolt

Specifications

Overall Case Size:	173mm x 25.4mm x 39.9mm - 22.2mm Backset (7/8") 173mm x 25.4mm x 41.4mm - 24.6mm Backset (31/32") 173mm x 25.4mm x 45.2mm - 28.6mm Backset (1 1/8") 173mm x 25.4mm x 57.1mm - 38.1mm Backset (1 1/2")
Case:	Steel with corrosion-resistant plating.
Backset:	22.2mm, 24.6mm, 28.6mm, 38.1mm.
Lock Bolt:	75mm x 15.9mm. 8 Ply Laminated Steel with Alumina-Ceramic Anti-Saw Core.
Bolt Throw:	34.9mm (Barbolt), 20.6mm (Hookbolt).
Mechanism:	Carbon Steel Actuating Mechanism.
Cylinder:	Any standard 29.4mm (1 5/32") Mortice Cylinder or Thumbturn with MS® cam.
Operation:	360° turn of key or thumbturn. Key only removable when bolt is positively locked or unlocked.
Door Type:	Aluminium only. (See MS®1850SNSI for Steel & Timber)
Door Gap:	3mm - 5mm.
Two Point Locking:	Specify 4015 Threshold Bolt.
Forend:	Steel, with aluminium faceplate.



Ordering Codes

Lock Bodies

1850-110	22.2mm (7/8") Backset Barbolt Deadlock
1850-150	22.2mm (7/8") Backset Hookbolt Deadlock
1850-210	24.6mm (31/32") Backset Barbolt Deadlock
1850-250	24.6mm (31/32") Backset Hookbolt Deadlock
1850-310	28.6mm (1 1/8") Backset Barbolt Deadlock
1850-350	28.6mm (1 1/8") Backset Hookbolt Deadlock
1850-410	38.1mm (1 1/2") Backset Barbolt Deadlock
1850-450	38.1mm (1 1/2") Backset Hookbolt Deadlock

Faceplates

24-1850-010-628	MS®1850 Faceplate Flat Bar Lock SAA Finish
24-1850-050-628	MS®1850 Faceplate Flat Hook Lock SAA Finish

Note: The above locks are also available with Microswitch Monitoring; add '-02' to end of code, (Hook Bolt only)
e.g. 1850-150-02. Cylinders, thumbturns and faceplates not supplied as standard; order separately.

Note: To specify alternative faceplate type, replace '0' with '1' for Radius, '2' for Left Hand Bevel, '3' for Right Hand Bevel or '4' for Radius Weatherstrip. 628 denotes Satin Anodised Finish-substitute 628 with 313 for Bronze, or 335 for Black.