

MS[®] 4043

Cylinder Guard

The Adams Rite MS[®] 4043 Cylinder guard offers three forms of defence against somebody trying to prise a standard mortice cylinder out of the door.



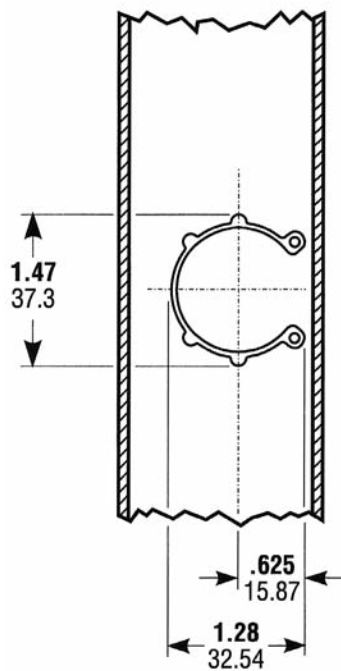
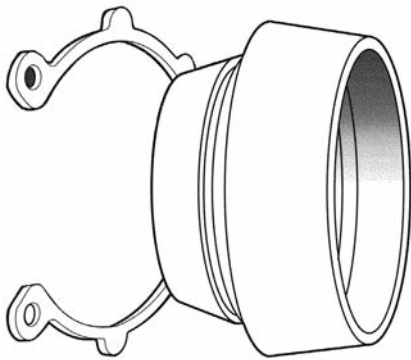
Key Benefits

- Suitable for use on aluminium and steel doors.
- Outer shield ring is fully bevelled to offer poor grip for prying or twisting.
- If a tool such as a cold chisel is driven into the stile behind the shield ring, the cylinder is still protected by the retainer plate, which would have to be pulled through a round hole in the metal door stile. This degree of leverage would be impossible with most hand tools.
- As a standard mortice cylinder is made of brass, it is a potential weak point in narrow stile door security.
- The ring is manufactured from hardened steel, and coupled with its shape makes gripping the ring tightly virtually impossible.
- The MS[®] 4043 may be used on outside only or on both outside and inside of a double-cylinder lock.
- Security ring, zinc-plated hardened steel.

Related Hardware

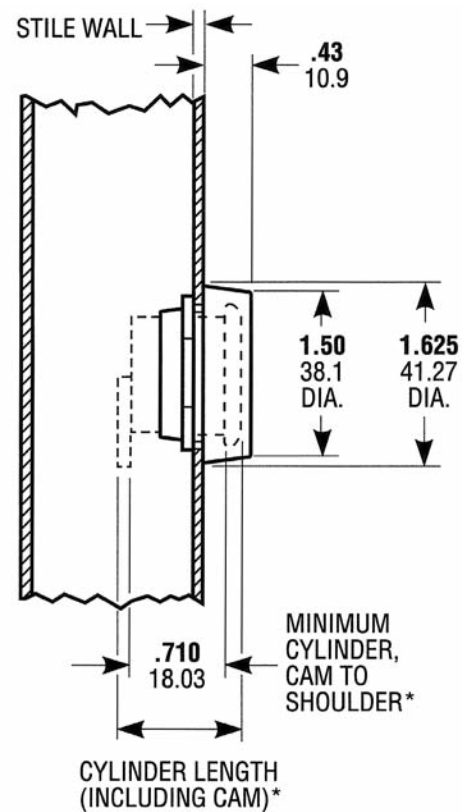
Round Cylinders

Dimensions



Specifications

Security Ring:	Zinc-plated hardened steel. Free swivelling.
Retainer Plate:	Steel with corrosion resistant plating.
Stile Thickness:	3.2mm.
Spacers:	Supplied. To fit stile wall if thinner than 3.2mm.
Spreader Wrench:	Supplied. For fitting retainer plate.



*Contact factory regarding non-standard dimensions.

Ordering Codes

4043-00-602 MS®4043 Cylinder Guard c/w Retainer Plate