

Thumbturns

Europrofile and Round Types

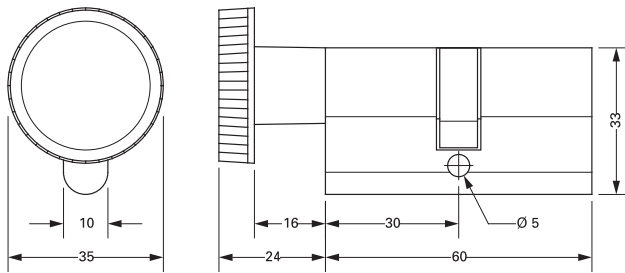
The Adams Rite range of 17mm Europrofile Cylinders complete with Thumbturns and round screw-in Mortice Thumbturns provide unrestricted exit without the requirement for a lever or paddle handle.



Key Benefits

- Suitable for use on aluminium, timber and steel doors.
- The Europrofile models are finished in satin chrome.
- 30/30 size as standard.
- The round screw-in models are available in satin aluminium as standard.
- Version without ball and spring for use with deadlatches.

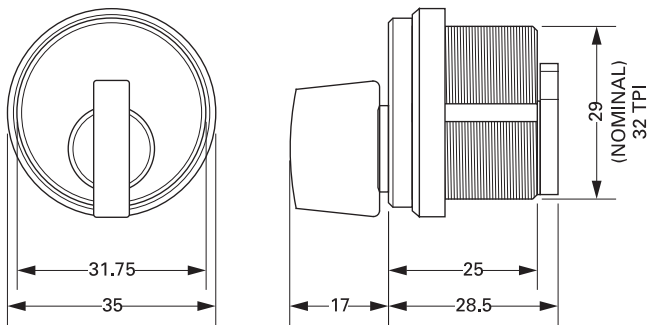
Dimensions



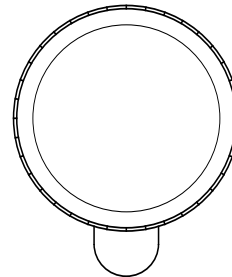
Europrofile Cylinder

Specifications

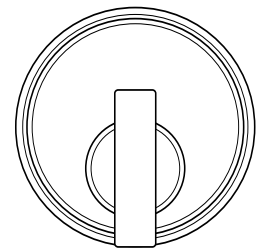
Overall Sizes:	33mm x 35mm x 84mm (Europrofile) 35mm x 35mm x 45.5mm (Round Mortice).
Diameter:	17mm (Europrofile) 29mm barrel (Round Mortice).
Material:	Brass, Nickel plated (Europrofile) Brass (Round Mortice).



4067 Mortice Thumbturn Cylinder



Europrofile Thumbturn Cylinder



4067 Mortice Thumbturn Cylinder

Ordering Codes

61-30-30-1-1	Sofi Europrofile Cylinder c/w Thumbturn KD
4067-01-628	Mortice Thumbturn SAA Finish
4067-01-628-00	Mortice Thumbturn SAA Finish without Ball & Spring for use with Deadlatches