

# ARC-53

## Floor Spring

Adams Rite Floor Springs are designed to provide a controlled closing of single or double action timber, steel or aluminium doors.



## Key Benefits

- Suitable for use on aluminium, timber and steel doors
- 90° hold-open facilities and an adjustable top pivot for ease of installation
- The Floor Spring can be adjusted within the cement box to provide flexibility during installation
- Comprehensive fixing pack included
- Dual closing speeds to allow flexibility in its closing action

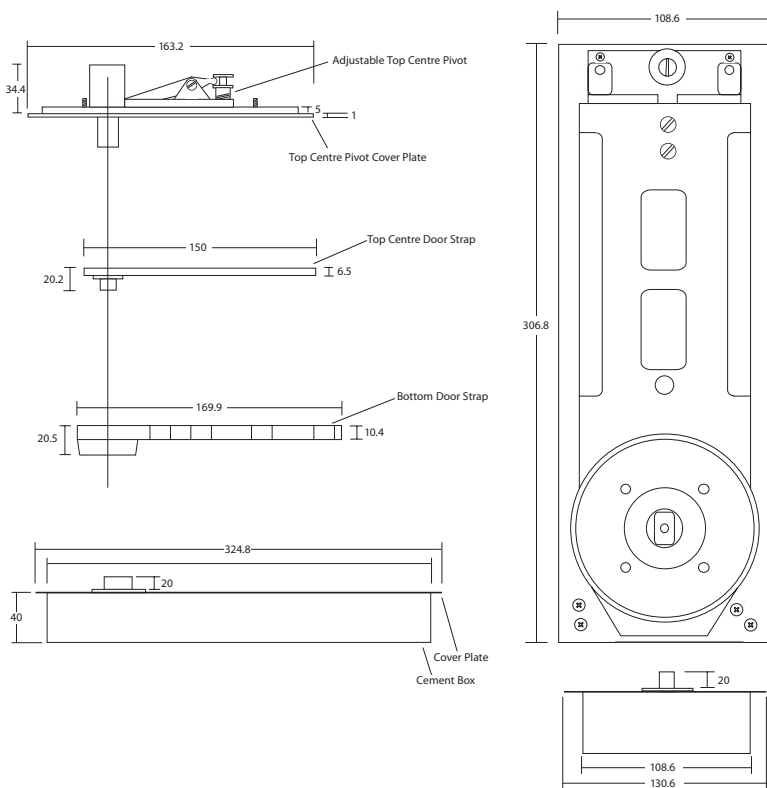
## Dimensions

Maximum Door Width	Maximum Door Weight	Maximum Door Opening	Maximum Door Thickness
950mm	100kg	130° (in each direction)	44mm

## Specifications

- Dimensions:** Cover Plate: 324 x 130mm.  
**Cement Box:** 306 x 108 x 40mm.  
**Position Adjustment:** Height: 4mm, width: 10mm, length: 7mm.  
**Door Suitability:** See opposite for maximum door sizes/weights.  
**Closing Speed:** Two regulating valves control closing movement. (See fitting instructions for details).  
**Cycle Testing:** 500,000 cycles (single action).  
**Amb. Working Temp:** -15°C to +40°C.  
**Features:** Optional 90° hold open available.  
**Cover Plate Finishes:** Brushed Stainless Steel.  
**Maintenance:** Check quarterly to ensure all fixings are secure and adjust, if necessary, the closing and latching speed so that the door operates both functionally and smoothly.

- Notes:** On single action centre-pivot doors it is recommended that a local door stop is fitted at the head to prevent the door swinging through when using electric strikes and latches. A door stop should always be fitted in order to prevent damage being caused to the door frame, adjacent wall finishes and furthermore to restrict the operating of the door closer past its maximum opening limitations. Do not use the optional backcheck facility as a door stop.



## Ordering Codes

- 5333-1012** Medium spring, no hold-open, standard application with brushed stainless steel cover plate, c/w top pivot and door straps.  
**5333-2012** Medium spring, 90° hold-open, standard application with brushed stainless steel cover plate, c/w top pivot and door straps.