

FM-3500

High Security Stainless Steel Edge Mount Hinge with Hospital Tip



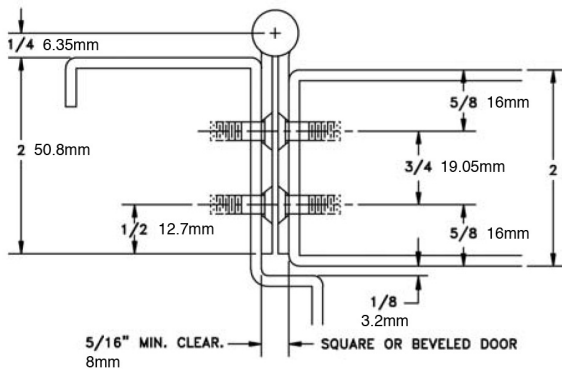
Continuous hinges fit the full height of a door therefore supporting the doors weight along its full length improving the life expectancy of the application, particularly in high traffic or dense applications.



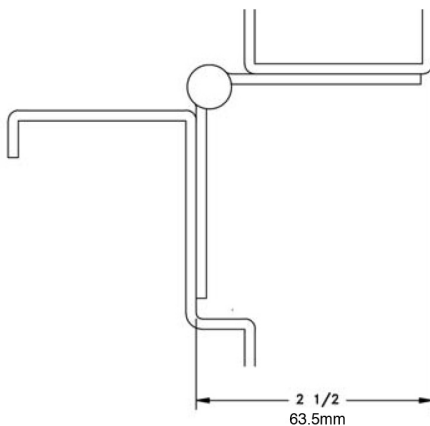
Key Benefits

- Suitable for use on timber and steel doors
- The hinge is specially designed and well suited for correctional facilities and other high security locations using 2" (51mm) thick swing-type doors
- The Adams Rite FM-3500 is a high security stainless steel edge mount hinge with hospital tip
- Also suitable for prison doors, gates, extremely tall doors and extra heavy doors
- This edge mount pin and barrel type hinge is fabricated with extra-heavy duty components for use on high traffic, high abuse doors

Dimensions



DOOR CLOSED



DOOR OPEN 90°

Specifications

Material:	Heavy-duty 12 Gauge (2.7mm (0-105")) 304 stainless steel.
Finishes:	US32D Satin stainless steel (630).
Cycle Testing:	Independently tested to 1 million cycles.
Mounting Hardware:	12-24 S.S. Torx with security studs.
Capacity:	Supports weights up to 408kg (900lbs.). 1219mm (48") maximum door width.
Stock size:	2133mm (84"). Can be cut to length.
Hole Pattern:	Symmetrically templated. Non-handed.
Barrel Type Hinge:	6.35mm (1/4") diameter stainless steel pin.

Optional Features

Finishes:	Scratch-resistant powder coated paint, 84 standard colours. US32 Bright polished stainless steel (629).
Other Features:	Custom lengths – specify in inches/mm. Custom hole patterns.

Fire Rating Information



1 hour:	Wood doors. Successfully independently tested by Warrington Fire Research to BS EN 1634-1:2000.
Note:	<i>Self-adhesive intumescent strips must be fitted to each blade of the hinge to conform to the fire test requirements as specified in the codes below.</i>
3 hours:	Hollow metal doors mounted singly.
90 minutes:	Hollow metal and composite core wood fire doors.
20 minutes:	Wood doors. Fire-rated label



Ordering Codes

FM3500-84"	FM-3500 Hinge, 2133mm (84") long.
3001SA-50-500	Intumescent strip for FM-300 & FM-3500 Hinges. 50mm wide, 500mm long.
3001SA-50-2000	Intumescent strip for FM-300 & FM-3500 Hinges. 50mm wide, 2000mm long.