

Rigel Pull Handles

The Adams Rite Rigel range of pull handles are specifically designed for use on commercial aluminium doors.



Rigel Straight Pull Handle



Rigel Circular C Pull Handle



Rigel Off Set Cranked Pull Handle



Rigel Spigot Mounted C Pull Handle

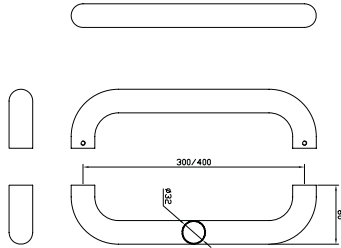


*All models available in:
Black, Blue, Grey and
White Powdercoat.*

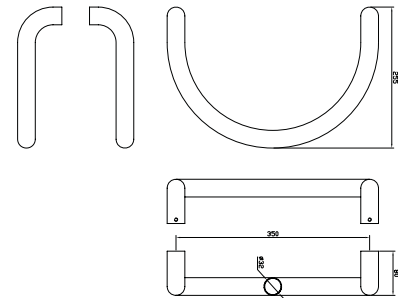
Key Benefits

- Available in a variety of sizes to suit most applications
- Available in satin and polished stainless steel
- Supplied with fixings to suit most door sizes
- Manufactured in 304 stainless steel
- 32mm diameter as standard
- Designed for commercial applications
- 3 year warranty

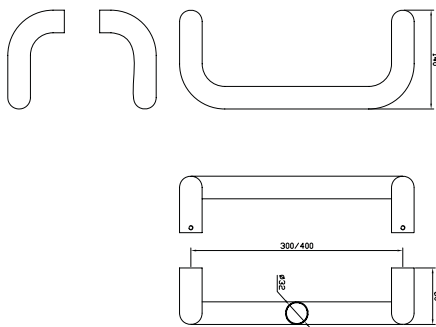
Dimensions



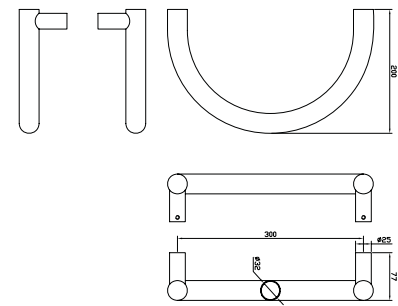
Rigel Straight Pull Handle



Rigel Circular C Pull Handle



Rigel Off Set Cranked Pull Handle



Rigel Spigot Mounted C Pull Handle

Ordering Codes



SKU	Description
AH1-21-32-300-SS-1	Rigel Straight Pull Handle Diameter - 32mm Length - 300mm SS Single cw fixings
AH1-21-32-400-SS-1	Rigel Straight Pull Handle Diameter - 32mm Length - 400mm SS Single cw fixings
AH1-21-32-300-PS-1	Rigel Straight Pull Handle Diameter - 32mm Length - 300mm PS Single cw fixings
AH1-21-32-400-PS-1	Rigel Straight Pull Handle Diameter - 32mm Length - 400mm PS Single cw fixings
AH1-21-32-300-SS-2	Rigel Straight Pull Handle Diameter - 32mm Length - 300mm SS Pair cw BTB fixings
AH1-21-32-400-SS-2	Rigel Straight Pull Handle Diameter - 32mm Length - 400mm SS Pair cw BTB fixings
AH1-21-32-300-PS-2	Rigel Straight Pull Handle Diameter - 32mm Length - 300mm PS Pair cw BTB fixings
AH1-21-32-400-PS-2	Rigel Straight Pull Handle Diameter - 32mm Length - 400mm PS Pair cw BTB fixings



AH1-22-32-300-SS-1	Rigel Offset Cranked Pull Handle Diameter - 32mm Length - 300mm SS Single cw fixings
AH1-22-32-400-SS-1	Rigel Offset Cranked Pull Handle Diameter - 32mm Length - 400mm SS Single cw fixings
AH1-22-32-300-PS-1	Rigel Offset Cranked Pull Handle Diameter - 32mm Length - 300mm PS Single cw fixings
AH1-22-32-400-PS-1	Rigel Offset Cranked Pull Handle Diameter - 32mm Length - 400mm PS Single cw fixings
AH1-22-32-300-SS-2	Rigel Offset Cranked Pull Handle Diameter - 32mm Length - 300mm SS Pair cw BTB fixings
AH1-22-32-400-SS-2	Rigel Offset Cranked Pull Handle Diameter - 32mm Length - 400mm SS Pair cw BTB fixings
AH1-22-32-300-PS-2	Rigel Offset Cranked Pull Handle Diameter - 32mm Length - 300mm PS Pair cw BTB fixings
AH1-22-32-400-PS-2	Rigel Offset Cranked Pull Handle Diameter - 32mm Length - 400mm PS Pair cw BTB fixings



AH1-23-32-350-SS-1	Rigel Circular C Pull Handle Diameter - 32mm Length - 350mm SS Single cw fixings
AH1-23-32-350-PS-1	Rigel Circular C Pull Handle Diameter - 32mm Length - 350mm PS Single cw fixings
AH1-23-32-350-SS-2	Rigel Circular C Pull Handle Diameter - 32mm Length - 350mm SS Pair cw BTB fixings
AH1-23-32-350-PS-2	Rigel Circular C Pull Handle Diameter - 32mm Length - 350mm PS Pair cw BTB fixings



AH1-24-32-300-SS-1	Rigel Spigot Mounted C Pull Handle Diameter - 32mm Length - 300mm SS Single cw fixings
AH1-24-32-300-PS-1	Rigel Spigot Mounted C Pull Handle Diameter - 32mm Length - 300mm PS Single cw fixings
AH1-24-32-300-SS-2	Rigel Spigot Mounted C Pull Handle Diameter - 32mm Length - 300mm SS Pair cw BTB fixings
AH1-24-32-300-PS-2	Rigel Spigot Mounted C Pull Handle Diameter - 32mm Length - 300mm PS Pair cw BTB fixings

Note: Please contact customer service for colour model product codes