

930 Series

Mortice Exit Device



BS EN 1125:1997+A1:2001
Classification Code 37601322B

The Adams Rite 930 Series Mortice Exit Device is a life safety device which is designed to fit timber or hollow steel door applications.



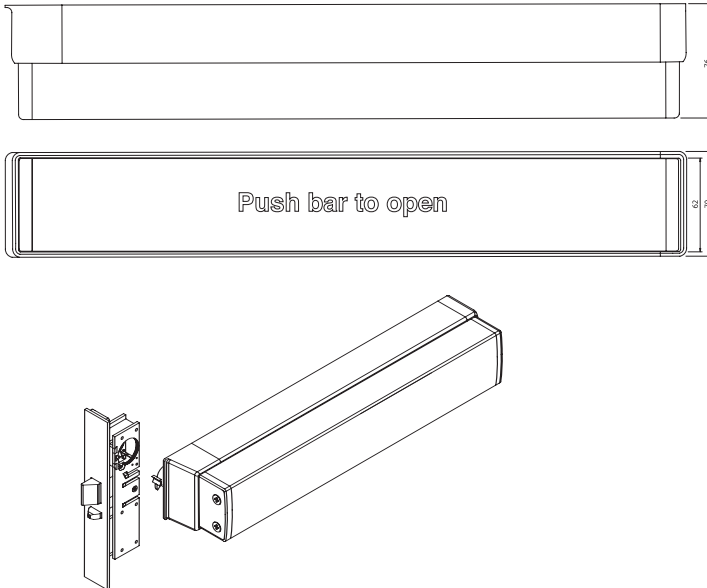
Key Benefits

- Suitable for use on timber and steel doors
- Available in two backset sizes, 38.1mm and 69.9mm
- Unique tab system on deadlatch allows the flat faceplate to be used to suit bevelled door sections
- Dogging as standard on all versions except 600mm
- The device has an all steel latch case with an oil impregnated solid brass bolt and deadlatching mechanism
- Options include: Monitoring and Cylinder dogging
- Accepts only standard mortice cylinder (with MS[®] cam) allowing external key access

Related Hardware

4056 Round Cylinder ~ MS[®] 4043 Cylinder Guard (steel doors only) ~
8066 Entry Trim ~ 3080 and 3080E Series Entry Trims ~
7128 Electric Strike

Dimensions



Ordering Codes Matrix

930 - 01 - 3 - 8 0 4 - 628

Door Material

930 Timber/Hollow Metal

Options

00 Basic Model

01 Cylinder Dogging

02 Single Switch Monitoring

03 Double Switch Monitoring

Door Opening Width

1 600mm

2 750mm

3 900mm

4 1050mm

5 1200mm

Handing

7 RHR

8 LHR

Faceplate Shape

0 Flat

Backset

4 38.1mm

5 69.9mm

Finish

313 Dark 'Bronze' Aluminium

335 Black Aluminium

628 Satin Aluminium

Specifications

| | |
|-----------------------------|--|
| Projection: | 76.5mm from face of door. |
| Push Bar Face Width: | 62mm. |
| Back Bar Width: | 70mm. |
| Door Opening Widths: | Five standard sizes - 600mm, 750mm, 900mm, 1050mm, 1200mm. |
| Width Variations: | See dimensional limitations |
| Push Bar: | Extruded Aluminium Alloy. Removable for Polyester Powder Coating if required. |
| Dogging Facility: | Built-in. Operated by dogging key (two supplied). NOTE: Not available on 600mm door opening width bar. |
| Case: | Steel with corrosion-resistant plating. |
| Latch Backsets: | 38.1mm and 69.9mm. |
| Latch Bolt: | 25.4mm x 16mm. Oil impregnated solid brass. Hardened steel internal pins, plus anti-pick baffle. |
| Bolt Throw: | 15.3mm. |
| Auxiliary Bolt: | Stainless Steel Pin. |
| Door Gap: | Maximum 5mm. |
| Forend: | Steel, with aluminium faceplate. |
| Standards: | Independently tested to the requirements of BS EN 1125:1997+A1: 2001. |
| Other: | 'Push bar to open' sticker included. |

Dimensional Limitations

| Series | Type | Bar Height (MM) | Minimum Door Height (MM) | Maximum Door Height (MM) | Maximum Door Opening Width (MM) | Minimum Door Opening Width (MM) |
|--------|-------|-----------------|--------------------------|--------------------------|---------------------------------|---------------------------------|
| 930 | Latch | 900 1100 | n/a | 2500 | 1200 | 945 |
| | | | | | 1050 | 745 |
| | | | | | 900 | 745 |
| | | | | | 750 | 705 |
| | | | | | 600 | 475 |

Note: As standard the 930 is designed to fit a 44.45mm to 47mm thick door section. Bars are available with an extended drive to suit thicker doors, however these are non-stock items and would be classed as a special order item.