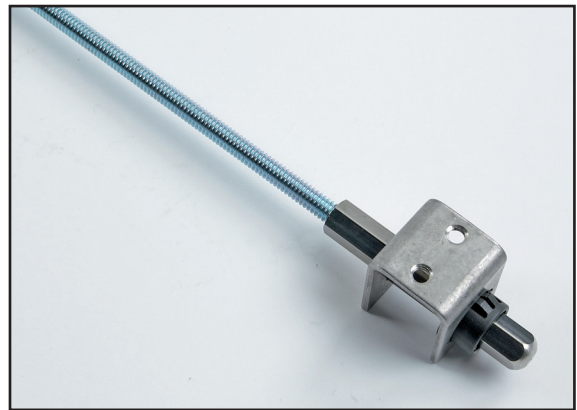
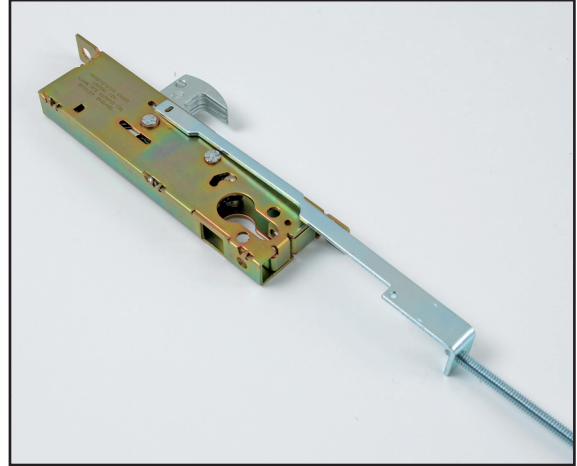


4015 and 4022

Threshold Bolts for MS®1850 and MS®2200 Deadlocks

The Adams Rite 4015 and 4022 threshold bolts for MS® 1850 and MS® 2200 Deadlocks provide additional locking points to the threshold.



Key Benefits

- Suitable for use on aluminium and steel doors.
- The 4022 is designed to give second or third point locking to any MS® 2200 series Deadlock; a second 4022 is simply added to provide the third locking point.
- The 4015 has additional locking points to threshold.
- The 4015 can be added to any version of 1850 deadlatch.

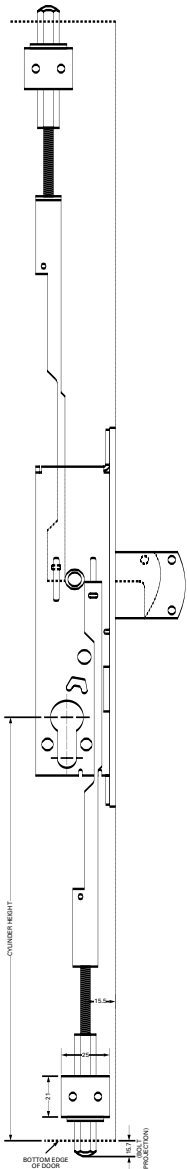
Related Hardware

MS®1850S Maximum Security Deadlock ~ MS®1850SNSI Maximum Security Deadlock ~ MS®2200 Maximum Security Deadlock

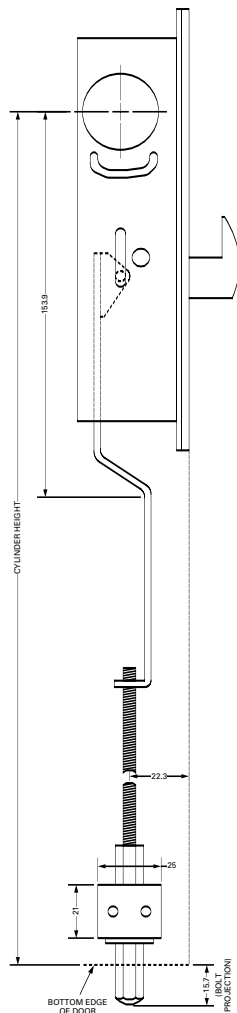
Dimensions

4022-18 for use with MS®2200 Deadlock.

Note: Two required for top and bottom locking.

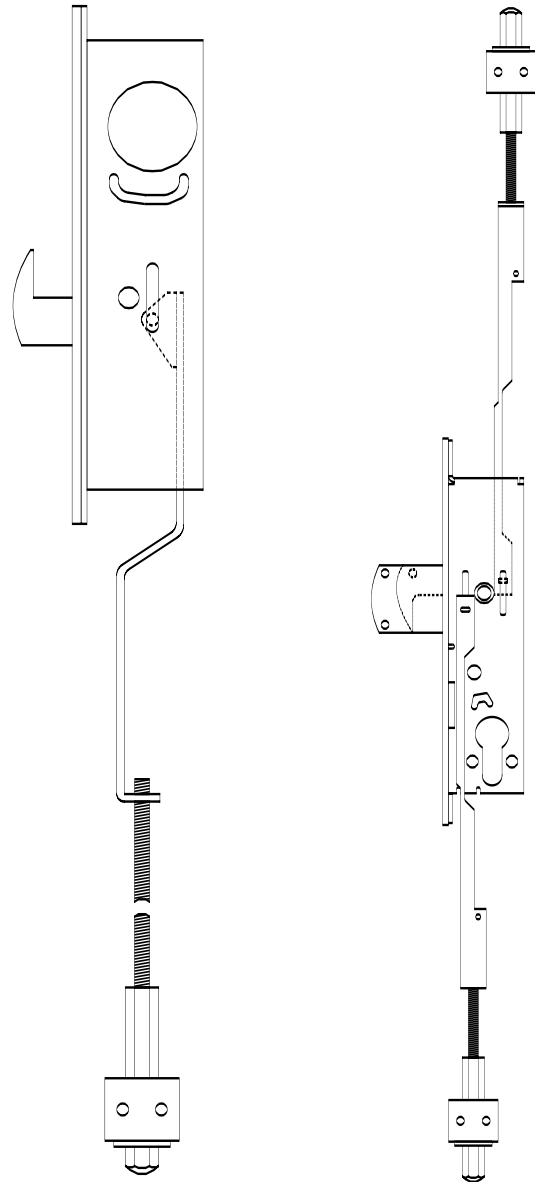


4015-18 for use with MS®1850 Deadlock.



Specifications

Cylinder Height:	1333mm maximum (4015) 1300mm maximum (4022 2 & 3-point).
Door Height:	2600mm maximum (4022 3-point).
Material:	Mild Steel.
Thread:	1/4" Whitworth.
Operation:	Turn of key; rods move as deadbolt pivots.



Ordering Codes

4015-18 Rod & Bolt Kit for MS®1850 Deadlock for use with swing door

4022-18 Rod & Bolt Kit for MS®2200 Deadlock for use with swing door