

# 4591M & 999M

## Monitored Paddle Handle & Exit Device Switching Accessories

The Adams rite 4591M paddle handle is designed for simple push or pull operation as an alternative to a lever handle, for use with the 4700/4900 series deadlatch (except 4750) and the MS+1890/Deadlock.



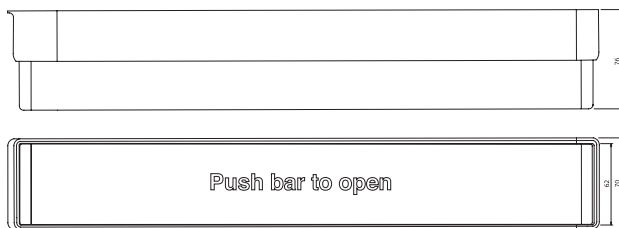
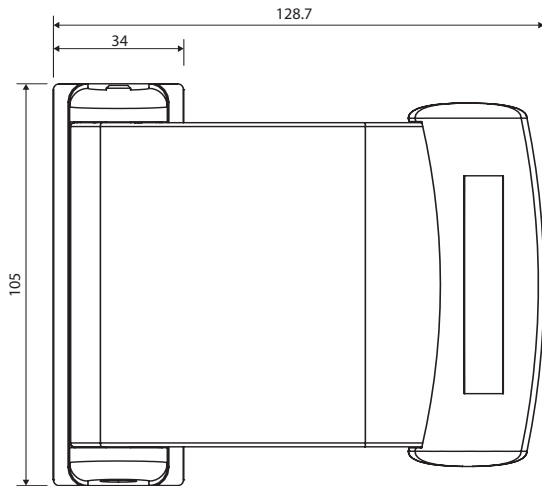
### Key Benefits

- **Designed as active dummy models where activation operates an integral microswitch to control the unlocking of Armlock® Magnetic locks or similar devices**
- **Available with both normally open and normally closed contacts to make or break a circuit**
- **Suitable for use on aluminium, timber and steel doors**

### Related Hardware

Armlock® 261 & 262 Direct Pull Magnets ~ Armlock® 281 Direct Pull Magnet ~ MS Maglock

## Dimensions



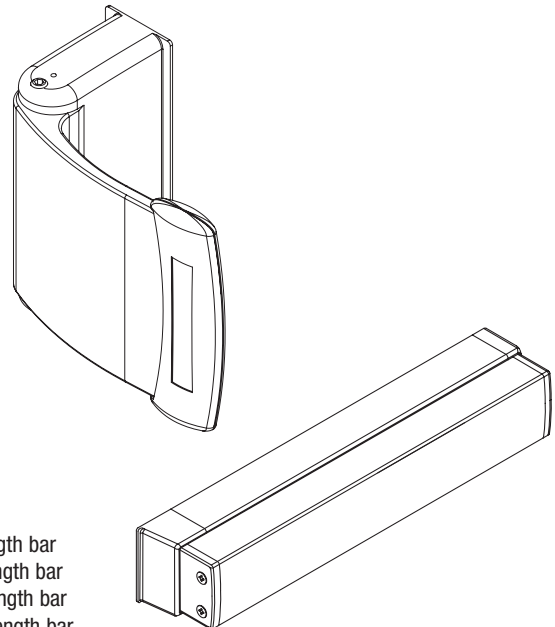
## Specifications

### 4591M Monitored Paddle Handle:

<b>Escutcheon:</b>	Zinc Alloy. 105mm x 34mm x 59mm. Black finish.
<b>Paddle:</b>	Extruded aluminium. 84mm x 125.74mm. Maximum projection off face of door: 78mm. Satin anodised (628) finish.
<b>Operation:</b>	Four models: Push to left, push to right, pull to left and pull to right.
<b>Monitoring:</b>	Single microswitch.
<b>Micro Switch:</b>	Single pole double throw.

### 999M Exit Device:

<b>Projection:</b>	76.5mm from face of door.
<b>Vertical Width:</b>	60mm.
<b>Opening Widths:</b>	Four standard sizes - 750mm, 900mm, 1050mm, 1200mm.
<b>Width Variations:</b>	750mm bar can be cut down to 662mm, 900mm & 1050mm bars to 705mm, and 1200mm bar can be cut down to 905mm.
<b>Push Bar:</b>	Extruded aluminium alloy. Removable for polyester powder coating if required. Built-in, operated by dogging key (two supplied).
<b>Dogging Facility:</b>	Built-in, operated by dogging key (two supplied).
<b>Monitoring:</b>	Option of single or double microswitches.
<b>Micro Switch:</b>	Single pole double throw.
<b>Rated:</b>	125vAC - 3A; 30vDC - 2A.



## Ordering Codes

<b>4591-01-628-01</b>	Pull To Left Paddle Handle SAA Finish, Active Dummy Monitored
<b>4591-03-628-01</b>	Pull To Right Paddle Handle SAA Finish, Active Dummy Monitored
<b>4591-02-628-01</b>	Push To Left Paddle Handle SAA Finish, Active Dummy Monitored
<b>4591-04-628-01</b>	Push To Right Paddle Handle SAA Finish, Active Dummy Monitored
<b>999-02-3-999-628</b>	Active Dummy Push Bar Single Monitoring SAA Finish, 900mm length bar
<b>999-03-3-999-628</b>	Active Dummy Push Bar Double Monitoring SAA Finish, 900mm length bar
<b>999-02-4-999-628</b>	Active Dummy Push Bar Single Monitoring SAA Finish, 1050mm length bar
<b>999-03-4-999-628</b>	Active Dummy Push Bar Double Monitoring SAA Finish, 1050mm length bar
<b>999-02-5-999-628</b>	Active Dummy Push Bar Single Monitoring SAA Finish, 1200mm length bar
<b>999-03-5-999-628</b>	Active Dummy Push Bar Double Monitoring SAA Finish, 1200mm length bar

**Note:** The above codes list the most popular variations; for additional models please contact the Adams Rite Customer Services Department.