

# MS<sup>®</sup>1850S

## Maximum Security Deadlock

The Adams Rite MS<sup>®</sup> 1850 deadlock provides maximum security locking for both swing and sliding aluminium doors.



### Key Benefits

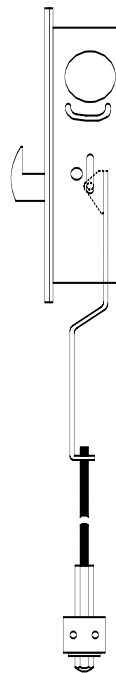
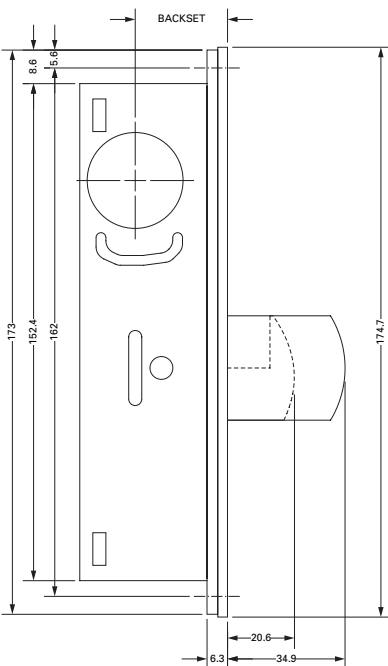
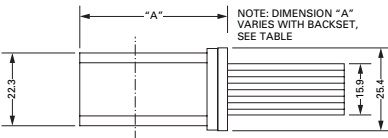
- Suitable for use on aluminium doors.
- Armoured strikes and cylinder guards.
- Tested to 500,000 cycles.
- 2 point locking available using 4015-18 threshold bolt.
- Available in hook and bar bolt version.
- Interchangeable without stile modification.
- Monitored version available.

### Related Hardware

4104 Mounting Bridges ~ Round Mortice Cylinders ~ MS<sup>®</sup>4043  
Cylinder Guard Round Thumbturns ~ MS<sup>®</sup> 4000 Armoured Parts ~  
4015 Threshold Bolt

## Dimensions

Backset	Dimension "A"
22.2mm (7/8")	39.9mm (1.57")
24.6mm (31/32")	41.4mm (1.63")
28.6mm (1 1/8")	45.2mm (1.78")
38.1mm (1 1/2")	57.1mm (2.25")



Optional  
4015-18  
Threshold Bolt

## Specifications

<b>Overall Case Size:</b>	173mm x 25.4mm x 39.9mm - 22.2mm Backset (7/8") 173mm x 25.4mm x 41.4mm - 24.6mm Backset (31/32") 173mm x 25.4mm x 45.2mm - 28.6mm Backset (1 1/8") 173mm x 25.4mm x 57.1mm - 38.1mm Backset (1 1/2")
<b>Case:</b>	Steel with corrosion-resistant plating.
<b>Backset:</b>	22.2mm, 24.6mm, 28.6mm, 38.1mm.
<b>Lock Bolt:</b>	75mm x 15.9mm. 8 Ply Laminated Steel with Alumina-Ceramic Anti-Saw Core.
<b>Bolt Throw:</b>	34.9mm (Barbolt), 20.6mm (Hookbolt).
<b>Mechanism:</b>	Carbon Steel Actuating Mechanism.
<b>Cylinder:</b>	Any standard 29.4mm (1 5/32") Mortice Cylinder or Thumbturn with MS® cam.
<b>Operation:</b>	360° turn of key or thumbturn. Key only removable when bolt is positively locked or unlocked.
<b>Door Type:</b>	Aluminium only. (See MS®1850SNSI for Steel & Timber)
<b>Door Gap:</b>	3mm - 5mm.
<b>Two Point Locking:</b>	Specify 4015 Threshold Bolt.
<b>Forend:</b>	Steel, with aluminium faceplate.

## Ordering Codes

### Lock Bodies

<b>1850-110</b>	22.2mm (7/8") Backset Barbolt Deadlock
<b>1850-150</b>	22.2mm (7/8") Backset Hookbolt Deadlock
<b>1850-210</b>	24.6mm (31/32") Backset Barbolt Deadlock
<b>1850-250</b>	24.6mm (31/32") Backset Hookbolt Deadlock
<b>1850-310</b>	28.6mm (1 1/8") Backset Barbolt Deadlock
<b>1850-350</b>	28.6mm (1 1/8") Backset Hookbolt Deadlock
<b>1850-410</b>	38.1mm (1 1/2") Backset Barbolt Deadlock
<b>1850-450</b>	38.1mm (1 1/2") Backset Hookbolt Deadlock

### Faceplates

<b>24-1850-010-628</b>	MS®1850 Faceplate Flat Bar Lock SAA Finish
<b>24-1850-050-628</b>	MS®1850 Faceplate Flat Hook Lock SAA Finish

**Note:** The above locks are also available with Microswitch Monitoring; add '-02' to end of code, e.g. 1850-150-02. Cylinders, thumbturns and faceplates not supplied as standard; order separately.

**Note:** To specify alternative faceplate type, replace '0' with '1' for Radius, '2' for Left Hand Bevel, '3' for Right Hand Bevel or '4' for Radius Weatherstrip. 628 denotes Satin Anodised Finish-substitute 628 with 313 for Bronze, or 335 for Black.

