

MS[®] 2200

Maximum Security Deadlock

The Adams Rite MS[®] 2200 deadlock provides maximum security locking for both swing and sliding aluminium doors using a europrofile cylinder.



Key Benefits

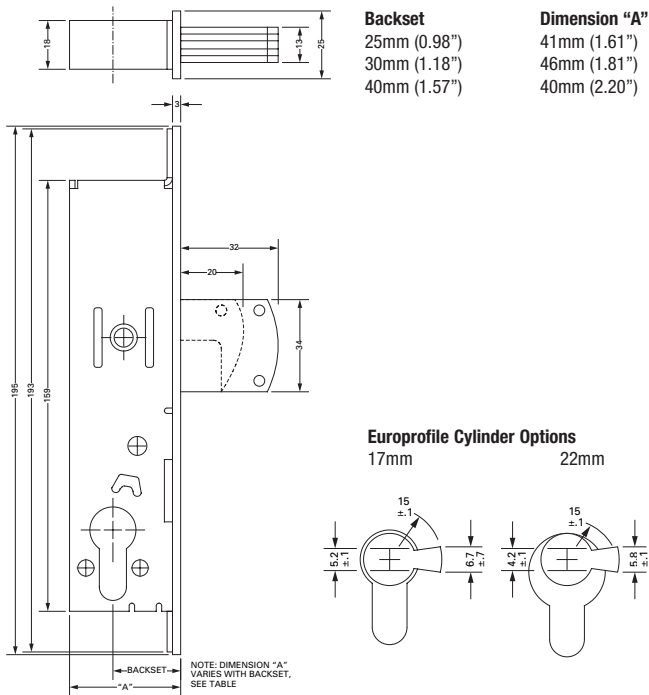
- 2/3 point locking available when used with 4022-18 kit.
- Alumina ceramic core in bolt to prevent hacksaw attack.
- Retains the same uncomplicated pivot mechanism and all the security features associated with the other MS[®] Deadlocks.
- The MS[®] 2200 lockbody has been designed to cater for 17mm Europrofile as standard.
- Riv-nut fixing version available.
- Available on aluminium and steel doors.
- Version to suit 22mm Kaba Europrofile cylinder available.

Related Hardware

Europrofile Cylinders and Escutcheons

MS[®] 4000 Armoured Parts ~ 4022-18 Header/Threshold Bolt

Dimensions



Specifications

Overall Case Size:	195mm x 25mm x 41mm (25mm Backset) 195mm x 25mm x 46mm (30mm Backset) 195mm x 25mm x 56mm (40mm Backset).
Case:	Steel with corrosion-resistant plating.
Backset:	25mm, 30mm, 40mm (40mm option: hookbolt version only).
Bolt Throw:	32mm (Bar); 20mm (Hook).
Lock Bolt:	34mm x 13mm. 5 Ply Laminated Steel with Alumina-Ceramic Anti-Saw Core (Stainless steel lockbolt option available on certain models).
Forend:	Steel with aluminium faceplate.
Mechanism:	Carbon Steel Actuating Mechanism.
Cylinder:	Any standard 17mm Europrofile Cylinder/Thumbturn or 22mm Kaba Profile Cylinder/Thumbturn.
Operation:	MS [®] 2200 - 17mm Europrofile Cylinder MS [®] 2210 - 22mm Kaba Profile Cylinder 360° turn of key or thumbturn. Key only removable when bolt is positively locked or unlocked.
Faceplate Finishes:	628 Satin Aluminium, 313 Bronze, 335 Black.
Door Type:	Aluminium or Steel.
Two/Three Point Locking:	Specify 4022-18 (1 or 2 no.) (Not available in 40mm backset).
Monitoring Facility:	Optional via Microswitch within case.

Ordering Codes

Lock Bodies

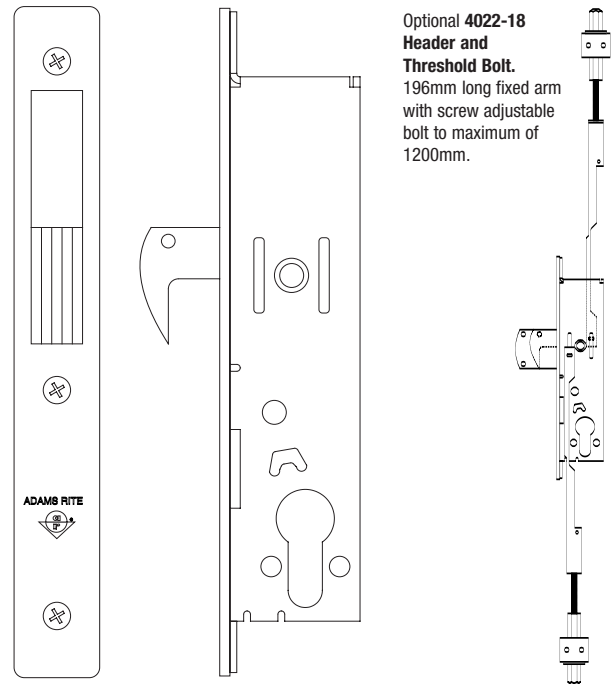
2200-110	25mm Backset Barbolt Deadlock 17mm Cylinder
2200-150	25mm Backset Hookbolt Deadlock 17mm Cylinder
2200-150-02	25mm Backset Hookbolt Deadlock 17mm Cylinder Monitored
2200-210	30mm Backset Barbolt Deadlock 17mm Cylinder
2200-250	30mm Backset Hookbolt Deadlock 17mm Cylinder
2200-250-02	30mm Backset Hookbolt Deadlock 17mm Cylinder Monitored
2200-350	40mm Backset Hookbolt Deadlock 17mm Cylinder
2200-350-02	40mm Backset Hookbolt Deadlock 17mm Cylinder Monitored
2210-110	25mm Backset Barbolt Deadlock 22mm Cylinder
2210-150	25mm Backset Hookbolt Deadlock 22mm Cylinder
2210-150-02	25mm Backset Hookbolt Deadlock 22mm Cylinder Monitored
2210-210	30mm Backset Barbolt Deadlock 22mm Cylinder
2210-250	30mm Backset Hookbolt Deadlock 22mm Cylinder

2210-250-02 30mm Backset Hookbolt Deadlock 22mm Cylinder Monitored

Faceplates

24-2200-010-628	MS [®] 2200 Faceplate Flat Bar Lock SAA Finish
24-2200-050-628	MS [®] 2200 Faceplate Flat Hook Lock SAA Finish
24-2200-110-628	MS [®] 2200 Faceplate Radius Bar Lock SAA Finish
24-2200-150-628	MS [®] 2200 Faceplate Radius Hook Lock SAA Finish
24-2200-250-628	MS [®] 2200 Faceplate Left Hand Bevel Hook Lock SAA Finish
24-2200-350-628	MS [®] 2200 Faceplate Right Hand Bevel Hook Lock SAA Finish
24-2200-410-628	MS [®] 2200 Faceplate Radius Weatherstrip Bar Lock SAA Finish
24-2200-450-628	MS [®] 2200 Faceplate Radius Weatherstrip Hook Lock SAA Finish

Note: The MS[®]2200 is available with Rivnut fixing - change last digit of code to '3' e.g. 2200-113. Cylinders, thumbturns and faceplates not supplied as standard; order separately. 40mm backset option available in 17mm Europrofile cylinder hookbolt version only.



Note: 628 denotes Satin Anodised Finish-substitute 628 with 313 for Bronze, or 335 for Black. Always order a barbolt faceplate when using the 40mm backset hookbolt version.