

# Thumbturns

## Europrofile and Round Types

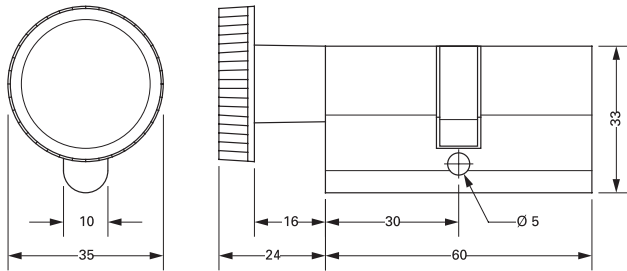
The Adams Rite range of 17mm Europrofile Cylinders complete with Thumbturns and round screw-in Mortice Thumbturns provide unrestricted exit without the requirement for a lever or paddle handle.



## Key Benefits

- Suitable for use on aluminium, timber and steel doors.
- The Europrofile models are finished in satin chrome.
- 30/30 size as standard, special sizes can be supplied on request.
- Suit 44-48mm door thickness when lock mounted centrally.
- Bronze and black anodised finishes are available on request.
- The round screw-in models are available in satin aluminium as standard.
- Version without bau and spring for use with deadlatches.

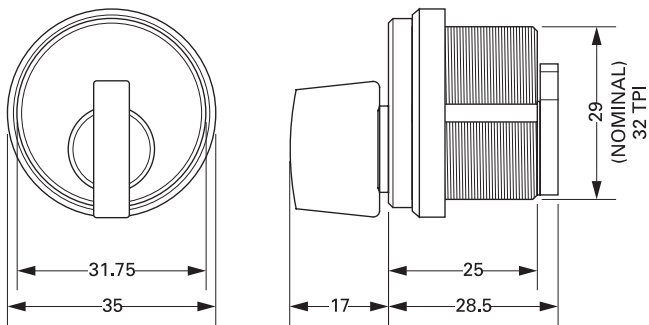
## Dimensions



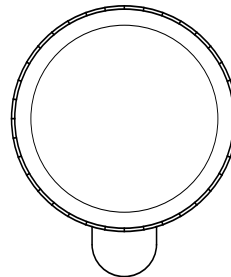
Europrofile Cylinder

## Specifications

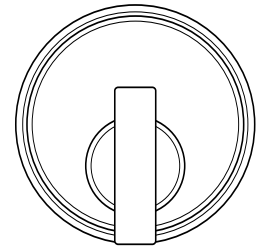
<b>Overall Sizes:</b>	33mm x 35mm x 84mm (Europrofile) 35mm x 35mm x 45.5mm (Round Mortice).
<b>Diameter:</b>	17mm (Europrofile) 29mm barrel (Round Mortice).
<b>Material:</b>	Brass, Nickel plated (Europrofile) Brass (Round Mortice).



4067 Mortice Thumbturn Cylinder



Europrofile Thumbturn Cylinder



4067 Mortice Thumbturn Cylinder

## Ordering Codes

<b>61-30-30-1-1</b>	Sofi Europrofile Cylinder c/w Thumbturn KD
<b>61-30-30-1-1-01</b>	Sofi Europrofile Cylinder c/w Thumbturn KA
<b>61-30-30-1-1-2</b>	Sofi Cylinder Europrofile c/w Thumbturn KA2
<b>4067-01-313</b>	Mortice Thumbturn Bronze Finish
<b>4067-01-335</b>	Mortice Thumbturn Black Finish
<b>4067-01-628</b>	Mortice Thumbturn SAA Finish
<b>4067-01-628-00</b>	Mortice Thumbturn SAA Finish without Ball & Spring for use with Deadlatches
<b>4067-02-313</b>	Mortice Thumbturn Bronze Finish for use with 4070 Series (c/w modified cam)
<b>4067-02-628</b>	Mortice Thumbturn SAA Finish for use with 4070 Series (c/w modified cam)