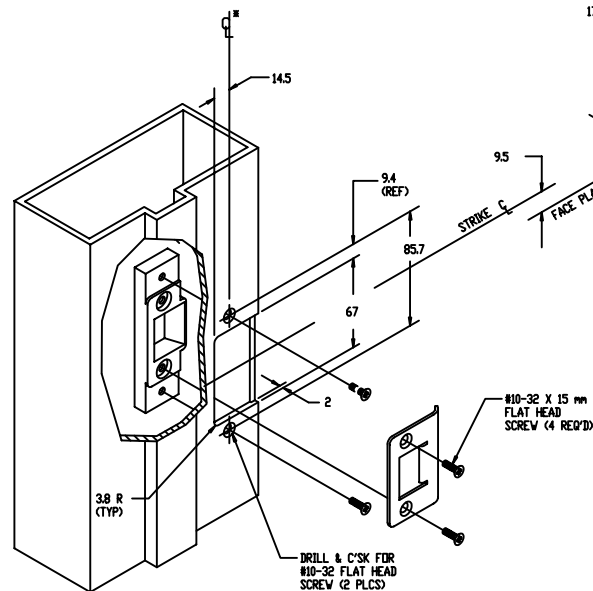


PREPARATION

UNLESS OTHERWISE SPECIFIED ALL DIMENSIONS ARE IN MILLIMETERS

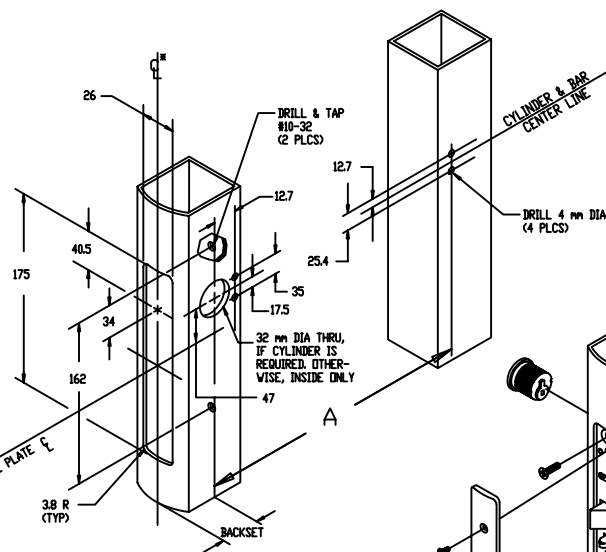
NOTE: THESE DIMENSIONS AND TEMPLATES ASSUME
A DOOR THICKNESS OF 44.5 mm. FOR DOORS OF
OTHER THICKNESS, CONSULT FACTORY.

NOTE: \varnothing DENOTES VERTICAL CENTER LINE OF STRIKE WITHIN .4 mm
OF DEADLATCH CENTER LINE.



STRIKE INSTALLATION

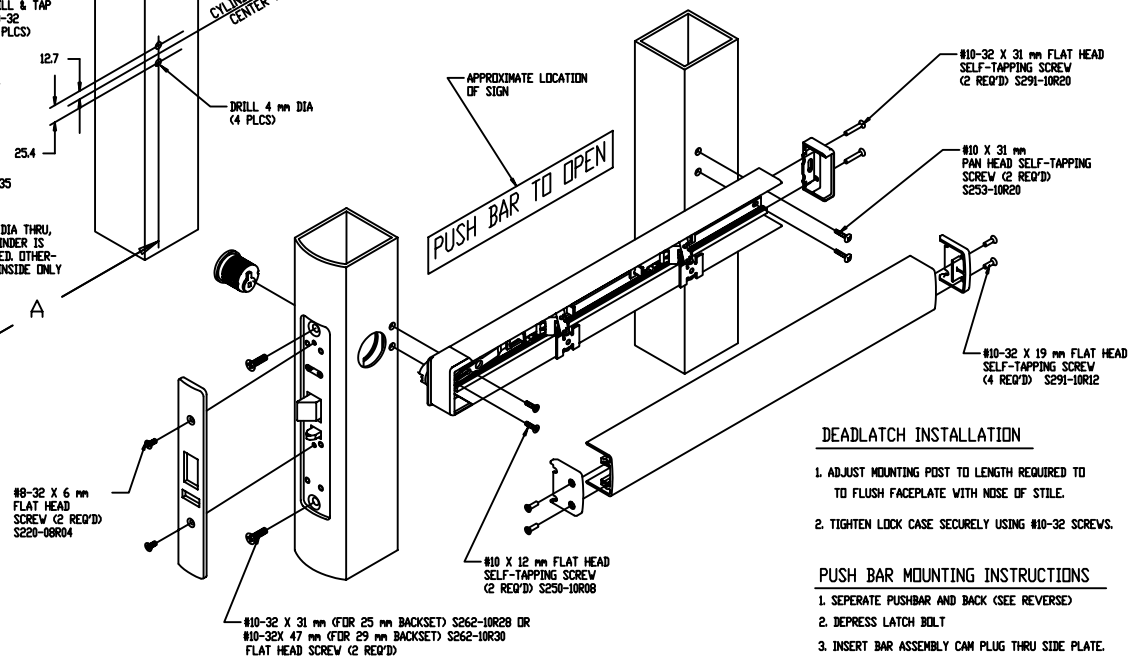
1. INSTALL CAST STRIKE CUP WITH #10-32 FLAT HEAD SCREWS.
 2. INSTALL STRIKE PLATE WITH #10-32 FLAT HEAD SCREWS.
- NOTE: BOTH STRIKE CUP AND STRIKE PLATE MUST BE INSTALLED PROPERLY TO MEET CODE REQUIREMENTS.



SELECTION CRITERIA

- A) EXIT DEVICES CONFORMING TO BS EN 1125 MUST BE USED WHERE EMERGENCY EXIT DEVICES ARE REQUIRED FOR SITUATIONS IN WHICH PEOPLE ARE UNFAMILIAR WITH THE USE OF THE DOOR HARDWARE IN THEIR SURROUNDINGS, AND A PANIC SITUATION IS LIKELY TO DEVELOP. IN SITUATIONS WHERE PEOPLE ARE FAMILIAR WITH THE USE OF THE DOOR HARDWARE IN THEIR SURROUNDINGS, AND A PANIC SITUATION IS UNLIKELY TO DEVELOP, PRODUCTS CONFORMING TO BS EN 179 MAYBE USED.
- B) ANY LOCAL SITE SITUATION, WHICH DOES NOT MEET THE REQUIREMENTS OF CLAUSE 4.1.20 OF BS EN 1125 SHOULD BE MODIFIED TO SUIT. REFER TO THE RECOMMENDATIONS FOR INSTALLATION AND FIXING SECTION OF THE INSTALLATION INSTRUCTIONS FOR DETAILS.
- C) ANY OUTSIDE ACCESS DEVICE SHALL BE AS TO THE MANUFACTURER'S SPECIFICATION.
- D) NO MODIFICATIONS OF ANY KIND, OTHER THAN THOSE DESCRIBED IN THESE INSTRUCTIONS, ARE PERMITTED.

INSTALLATION



DEADLATCH INSTALLATION

1. ADJUST MOUNTING POST TO LENGTH REQUIRED TO TO FLUSH FACEPLATE WITH NOSE OF STILE.
2. TIGHTEN LOCK CASE SECURELY USING #10-32 SCREWS.

PUSH BAR MOUNTING INSTRUCTIONS

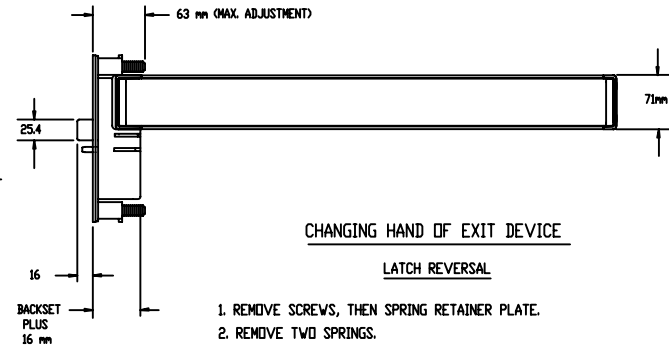
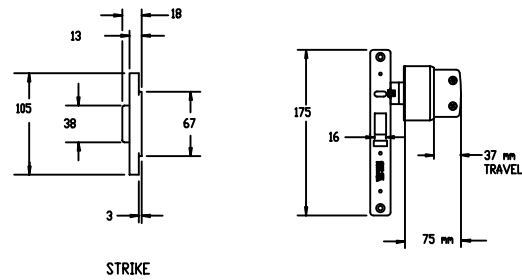
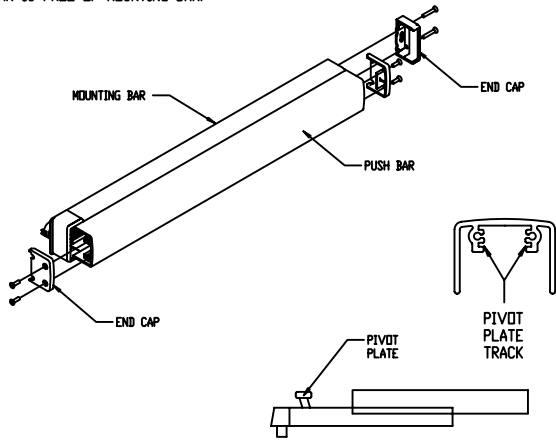
1. SEPERATE PUSHBAR AND BACK (SEE REVERSE)
2. DEPRESS LATCH BOLT
3. INSERT BAR ASSEMBLY CAM PLUG THRU SIDE PLATE.
NOTE: THE SQUARE KEY ON PLUG MUST ALIGN WITH SQUARE NOTCH ON SIDE PLATE.
4. INSTALL SELF-TAPPING SCREWS, BOTH ENDS, THEN, TIGHTEN SECURELY.
5. TIGHTEN CAM PLUG SET SCREW.
6. INSTALL FACEPLATE.
7. INSTALL PUSH BAR END CAPS AND BACKBAR CAP.

ADAMS RITE MANUFACTURING COMPANY
POMONA, CA. 91767

940 MORTISE EXIT DEVICE

SEPARATING PUSH BAR AND MOUNTING BAR PROCEDURE

1. REMOVE HINGE END-BACKBAR CAP. REMOVE BOTH END CAPS.
2. SLIDE PUSH BAR TOWARD HINGE SIDE OF DOOR.
3. CONTINUE TO SLIDE PUSH BAR PAST THE PIVOT PLATE THAT RIDES IN PUSH BAR TRACK.
4. SLIDE PUSH BAR IN OPPOSITE DIRECTION KEEPING PIVOT PLATE OUT OF TRACK UNTIL PUSH BAR IS FREE OF MOUNTING BAR.



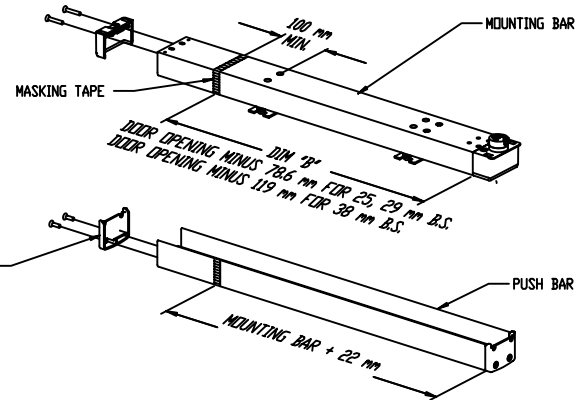
CHANGING HAND OF EXIT DEVICE

LATCH REVERSAL

1. REMOVE SCREWS, THEN SPRING RETAINER PLATE.
2. REMOVE TWO SPRINGS.
3. REMOVE AUXILIARY BOLT.
4. REMOVE LATCH BOLT AND DEADLOCKING ARM ASS'Y BEING CAREFUL NOT TO LOSE SMALL INTERNAL SPRING.
5. REMOVE INTERNAL (DEADLOCKING) SPRING.
6. SLIDE PIN OUT OF LATCH BOLT AND REMOVE DEADLOCKING ARM.
7. REPLACE DEADLOCKING ARM ON OPPOSITE SIDE OF LATCH BOLT AND INSTALL PIN.
8. INSTALL INTERNAL SPRING AND INSERT LATCH BOLT AND DEADLOCKING ARM ASS'Y INTO LATCH CASE.
9. INSTALL AUXILIARY BOLT.
10. REPLACE TWO SPRINGS.
11. INSTALL SPRING RETAINER PLATE.

CUT-OFF INSTRUCTIONS FOR NON-STANDARD DOORS

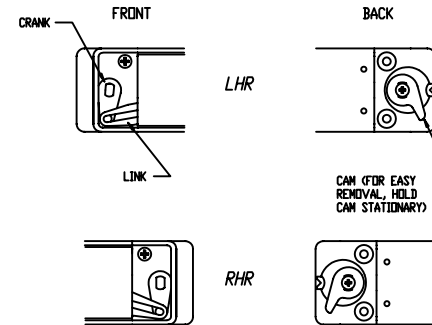
1. SEPERATE PUSH BAR & MOUNTING BAR (SEE BELOW)
2. DETERMINE EXTRUSION LENGTH ("B" DIM). (NOTE: 100 mm ' MINIMUM DIMENSION FROM LAST SCISSORS MOUNTING HOLE TO NEW CUT-OFF LENGTH AS SHOWN).
3. MEASURE MOUNTING BAR, TAPE AND MARK EXTRUSION LENGTH.
4. MEASURE PUSH BAR, TAPE AND MARK EXTRUSION LENGTH.
5. SAW OFF EXCESS LENGTH, REMOVE TAPE AND DEBURR.
6. DRILL MOUNTING HOLES IN BACK-BAR, USE TEMPLATE 80-0180-912.
7. SEE INSTALLATION INSTRUCTIONS.



INSTALLING PUSH BAR TO MOUNTING BAR

1. WITH PUSH BAR IN HAND AND MOUNTING BAR ATTACHED TO DOOR, SLIDE THE PIVOT PLATE NEAREST HINGE INTO TRACK OF PUSH BAR UNTIL SECOND PIVOT PLATE IS EXPOSED. INSERT PIVOT PLATE INTO TRACK ON PUSH BAR AND SLIDE IN OPPOSITE DIRECTION UNTIL PUSH BAR AND MOUNTING BAR ALIGN.

EXIT BAR



FRONT VIEW

1. REMOVE LINK FROM CRANK ARM.
2. ROTATE CRANK TO OPPOSITE SIDE.
3. CONTINUE MOVING CRANK ARM AS YOU RELEASE BAR.

BACK VIEW

1. REMOVE CAM SCREW.
2. FLIP CAM OVER TO OPPOSITE POSITION.
3. REPLACE CAM SCREW AND TIGHTEN SECURELY.

NOTE: THE FORMULA ASSUMES THAT THE APPLICATION IS A FLUSH FRAME, REBATED FRAMES NEED TO BE CONSIDERED SEPERATELY AS A DEEPER DOOR STILE MAY BE REQUIRED DEPENDING ON THE DEPTH OF THE REBATE. CONSULT THE FACTORY TO DISCUSS INDIVIDUAL REQUIREMENTS.

	BACKSET	DOOR OPENING WIDTH (mm)				
		600	750	900	1050	1200
DIM A	25 mm OR 29 mm	532	682	832	982	1132
DIM A	38 mm	492	642	792	942	1092