

MAINTENANCE INFORMATION

Inspect regularly to ensure lock case and face plate are fixed securely to the door.

Annually:
Apply a small amount of spray lubricant, (NOT GREASE) as illustrated and operate cylinder several times to ensure the deadbolt retracts fully.

Check the cylinder is secure in the lock case, cylinder guard securely fixed and unit is operational from both sides of the door.

Adams Rite recommend the entire doorset be inspected as a whole annually.

OPERATIONAL INSTRUCTIONS

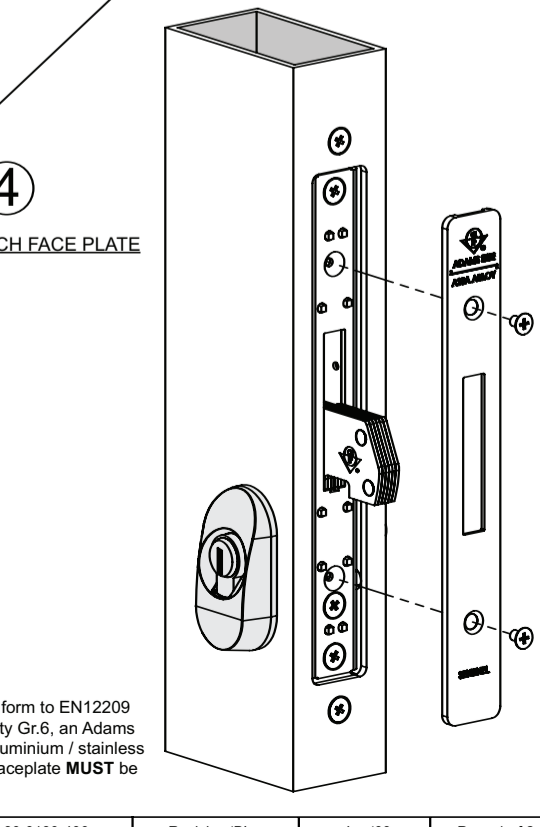
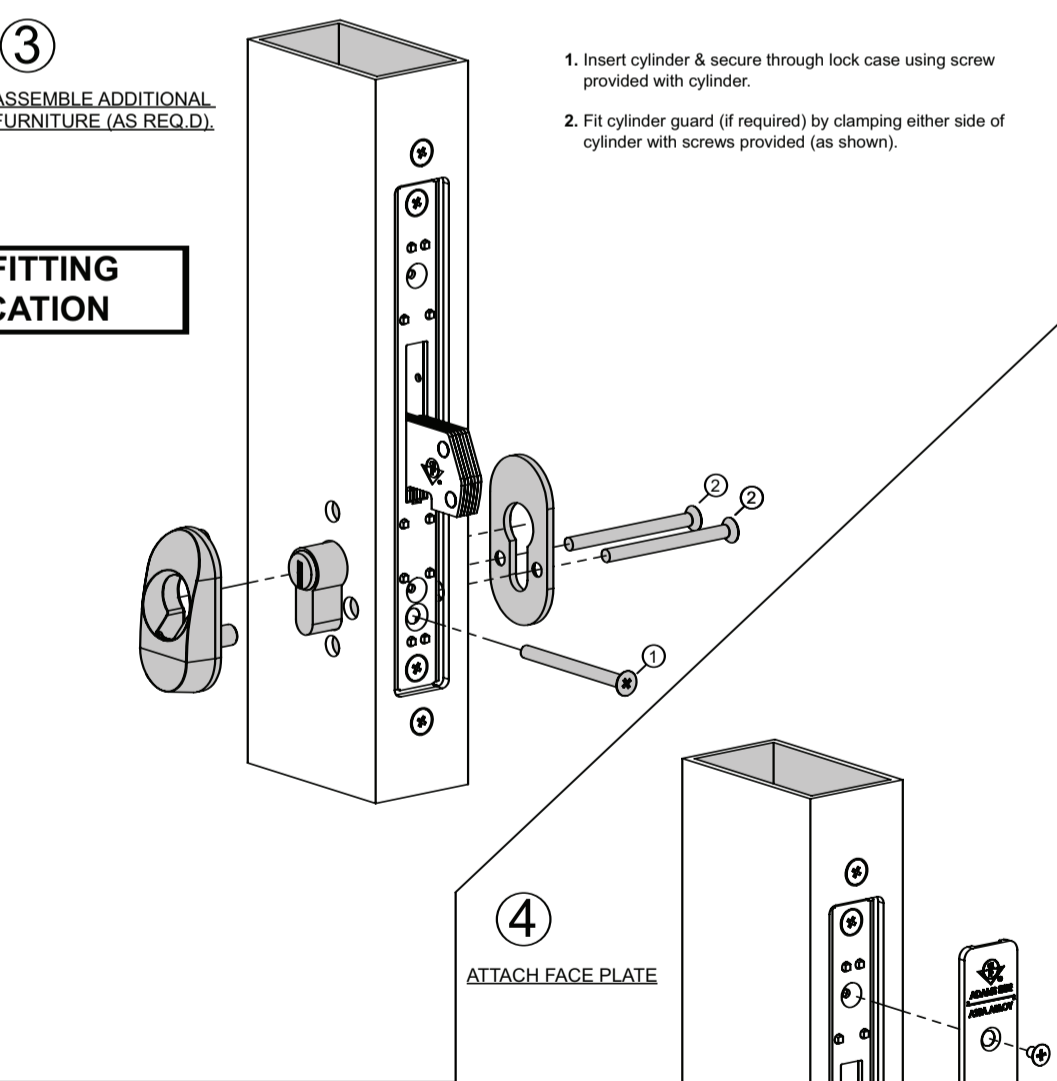
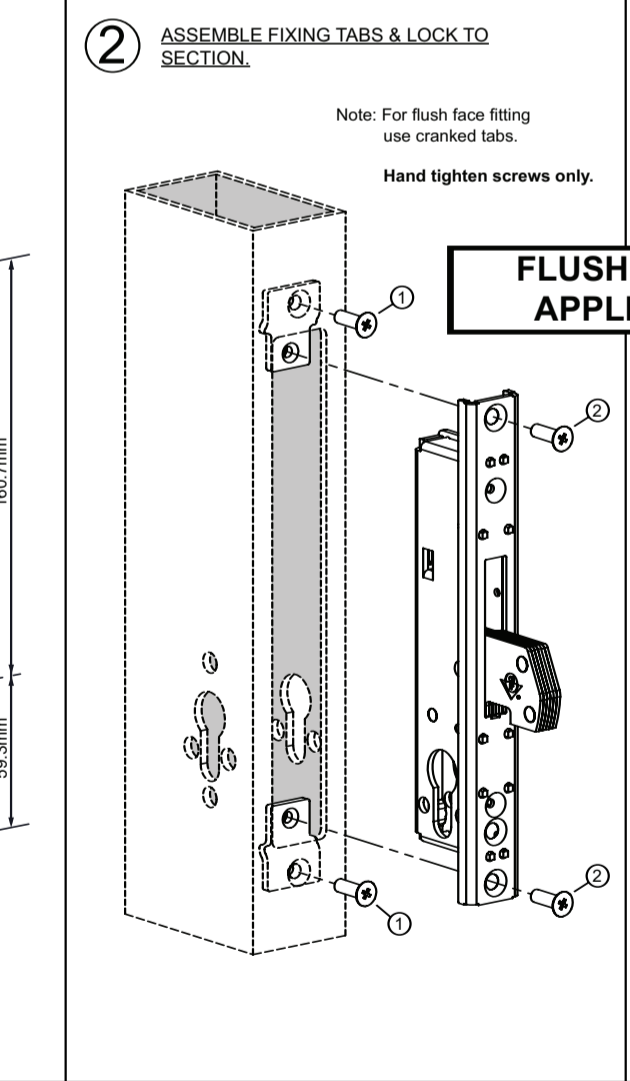
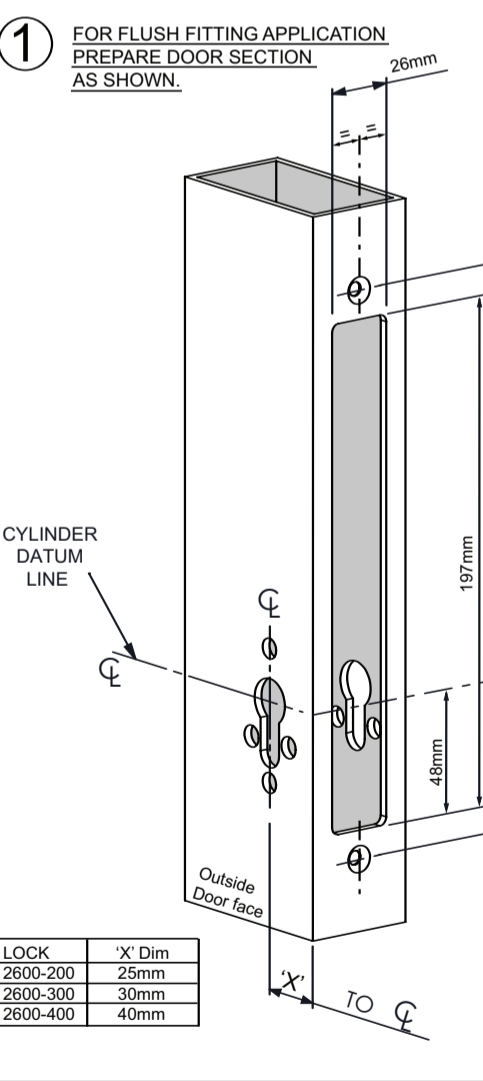
Cylinder / thumbturn should rotate 360° during operation. Key can only be withdrawn when bolt is positively locked / unlocked.



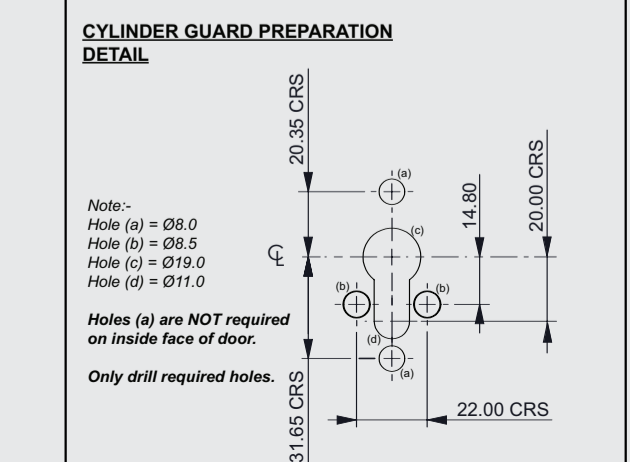
Adams Rite Europe Limited.
The Meadows, Cannock Road, Wolverhampton, West Midlands. WV10 ORR.

Technical Support: 0845 873 4837
Customer Services: 0845 873 4838
Fax: 0845 873 4839
Web: www.adamsrite.co.uk

Part No. 80-0180-400 Revision 'B' Jan '09 Page 2 of 2



- CONTENTS OF KIT**
- LOCK (X1)
 - FLAT TAB (x2)
Thermally Broken (TB) Application
 - CRANKED TAB (x2)
Flush Face (FF) Application
 - M5 x 10 Phillips CSK (x4) - FM Application
M5 x 10 Phillips CSK (x2) - FF Application
M5 x 16 Phillips CSK (x2) - FF Application



- AVAILABLE SEPERATELY**
- FACE PLATES (Various Styles)
 - CYLINDER
 - STRIKES (Various)
 - CYLINDER GUARD KIT