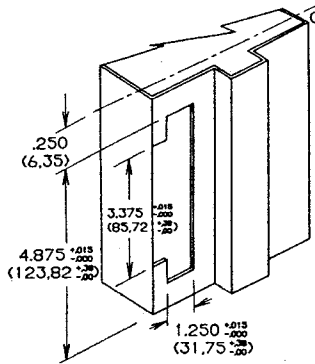
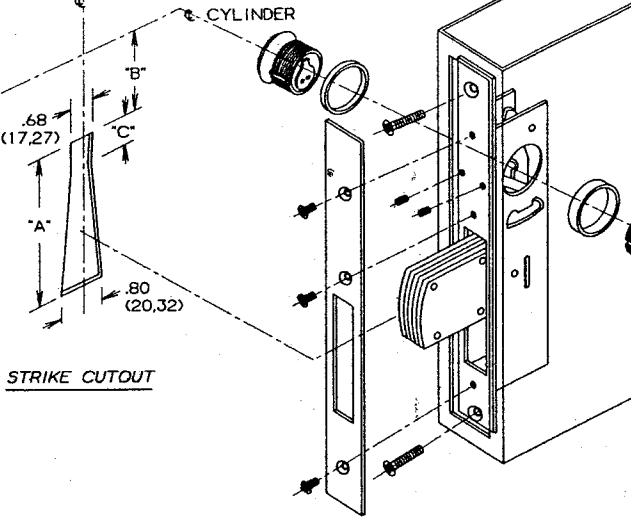


**JAMB  
PREPARATION  
FOR ANSI STRIKE**

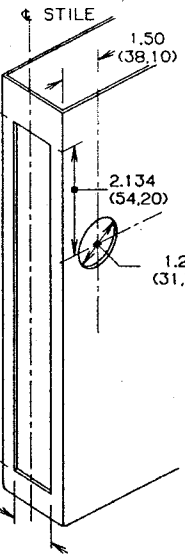


**LOCK & STILE**



**STRIKE CUTOUT**

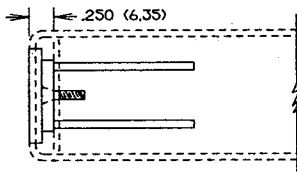
**LOCK & CYLINDER  
INSTALLATION**



**LOCK STILE PREPARATION**

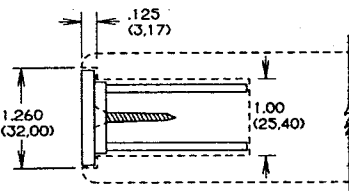
BOLT TYPE	"A"	"B"	"C"
REGULAR BOLT	3.38 (85.85)	1.38 (35.03)	1.00 (25.40)
SHORT BOLT	2.75 (69.85)	1.38 (35.03)	1.00 (25.40)
HOOK BOLT	1.94 (49.28)	2.19 (55.63)	.25 (6.35)

1



**HOLLOW METAL DOOR  
LOCK INSTALLATION**

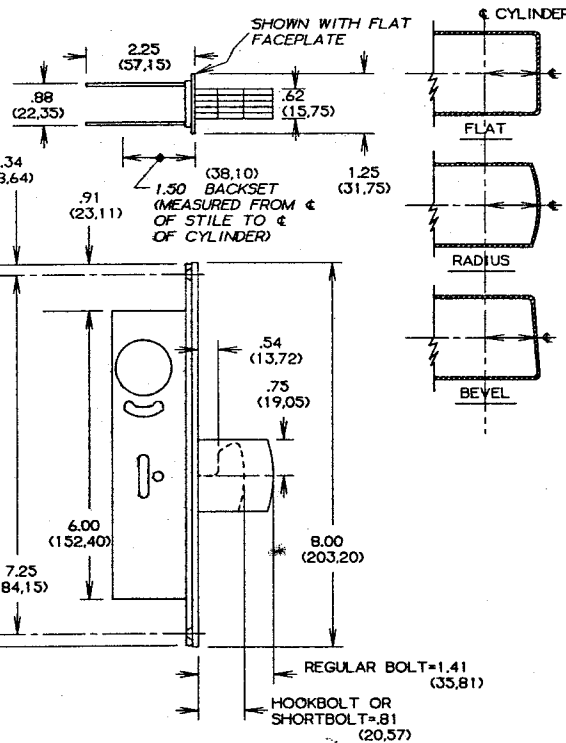
- #12-24 x 1/2 (6.35 x 12) FLAT HEAD MACHINE SCREWS FURNISHED WITH LOCK.
- LOCK SUPPORT SHALL BE PROVIDED BY DOOR MANUFACTURER.



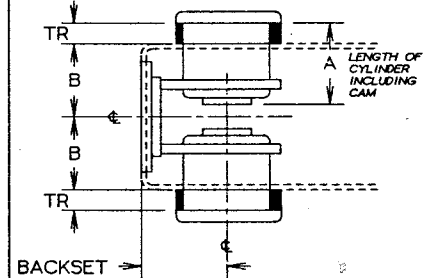
**WOOD DOOR  
LOCK INSTALLATION**

- #12 FLAT HEAD WOOD SCREWS REQUIRED.
- STANDARD PACKAGING INCLUDES MACHINE MOUNTING SCREWS. SPECIFY WOOD SCREWS WHEN REQUIRED.

3



**CYLINDER TRIM RING**

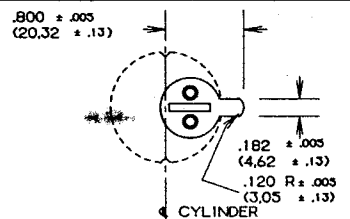


TRIM RING THICKNESS (TR) WILL VARY WITH SPECIFIC CYLINDER MAKE, NUMBER OF PINS, & SPECIFIC DOOR THICKNESS. TO DETERMINE TRIM RING THICKNESS USE THE FOLLOWING FORMULA:

$$TR = A + 125 - B$$

(3.17)

2



MS1850ANSI SERIES LOCKS ARE OPERABLE BY ANY STANDARD 1 3/32" DIAMETER (29.37) MORTISE CYLINDER WITH SPECIAL MS CAM DIMENSIONED AS ABOVE. CYLINDERS WITH MS CAMS CAN BE READILY OBTAINED FROM MOST CYLINDER MANUFACTURERS.

**RELATED HARDWARE AND  
OPTIONAL ACCESSORIES**

- ARMORED STRIKES (STEEL REINFORCED) ARE AVAILABLE FOR USE IN ALUMINUM OR HOLLOW METAL JAMBS.
  - TRIM STRIKES (WITH OR WITHOUT DUST BOSS) ARE AVAILABLE FOR USE IN ALUMINUM, HOLLOW METAL, OR WOOD JAMBS. SEE 4000, 4001 AND 4002 FOR INFORMATION ON ITEMS 1 AND 2 ABOVE.
  - CYLINDERS ARE AVAILABLE FROM ADAMS RITE KEYPED DIFFERENT OR KEYPED ALIKE IN SETS.
  - CYLINDER GUARD - SPECIFY MS 4043
  - EXIT INDICATOR - SPECIFY 4089
- SEE CATALOG FOR ADDITIONAL DETAILS

AVAILABLE FACEPLATES	CATALOG NUMBER
FLAT	1850ANSI
RADIUS	1851ANSI
LEFT BEVEL	1852ANSI LH
RIGHT BEVEL	1852ANSI RH

4

DATE: REDRAWN WITHOUT CHANGE 1-16-84

ADAMS RITE MANUFACTURING COMPANY CITY OF INDUSTRY, CALIF. 91749

MS1850SN

5