

Sentinel 6

Extreme Security Deadlock

Sentinel 6 is a completely new generation of deadlock from Adams Rite that raises the bar in security locking to new heights.

Engineered specifically to meet the stringent BS EN 12209 Lock Standard Test to security Grade 6, Sentinel 6 stands in a class of its own.



Patent pending

Key Benefits

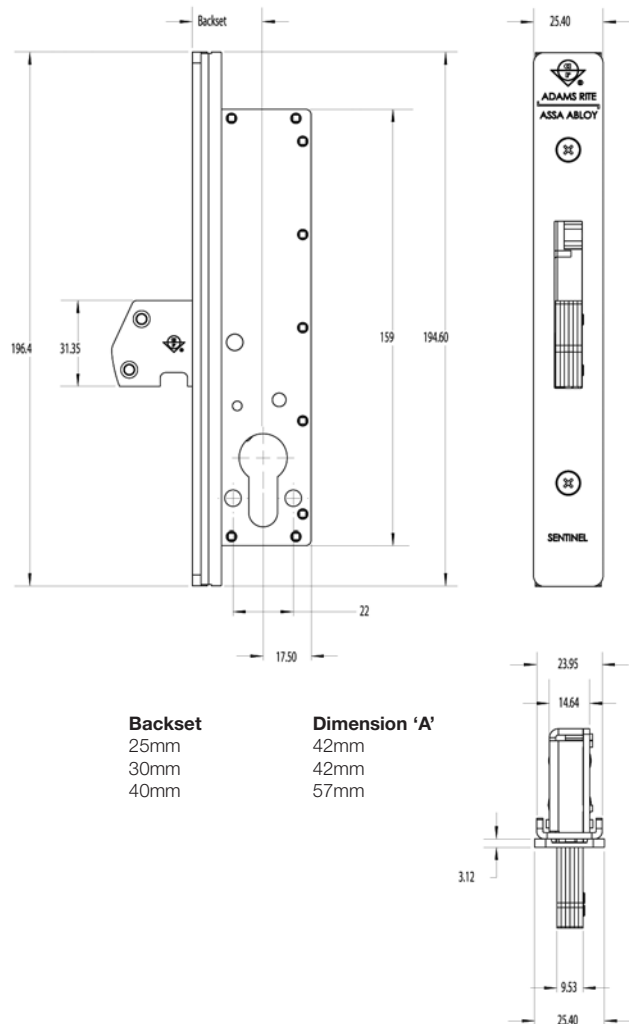
- Complies with BS EN 12209 at security grade 6
- Bolt withstands 10kN side load in unsupported application and 6kN end load
- Barbolt with anti-spread feature incorporating the benefits of hookbolt
- New patented Adams Rite over-centre mechanism
- Enclosed mechanism prevents potential for tampering while under attack
- Specifically designed to fit into thermally broken and shopfront applications
- Aiding in compliance with current door set standards
- Will retro-fit into existing prep for MS2200

Related Hardware

Have you considered purchasing the following products to complete the lock package?

Europrofile Cylinders and Sentinel Security Escutcheon · Europrofile Thumbturns

Dimensions



Specifications

Overall Case Size:	195mm x 25mm x 42mm (25mm Backset) 195mm x 25mm x 47mm (30mm Backset) 195mm x 25mm x 57mm (40mm backset)
Case:	Steel with corrosion-resistant plating
Backset:	25mm, 30mm, 40mm
Bolt:	29mm bar bolt with anti spread feature, engages when correctly fitted with strike plate
Lock Bolt:	6 ply laminated steel with alumina ceramic insert
Forend:	Steel with faceplate
Mechanism:	Carbon steel actuating mechanism (patent pending)
Cylinder:	Operates with 17mm Europrofile cylinder, fitted with a DIN cam
Operation:	360° turn of key / thumbturn. Key only removable when bolt is positively locked or unlocked
Flush faceplates (finish):	Flat, radius & weatherstrip (satin anodised only)
Door Type:	Aluminium or steel

Ordering Codes

Lock Bodies

2600-200	25mm Backset Commercial Deadlock
2600-300	30mm Backset Commercial Deadlock
2600-400	40mm Backset Commercial Deadlock

Faceplates

24-2627-010-628	Sentinel flat faceplate SAA finish
24-2627-110-628	Sentinel radius faceplate SAA finish
24-2627-410-628	Sentinel radius weatherstrip faceplate SAA finish

Lock fixings

91-2627-001	Cranked fixing tabs in pairs for flush lock front plate application - 10 PK
--------------------	---

Strike package

2627-010	Sentinel armoured strike backplate - flush front plate application
2627-012-628	Sentinel flat trim strike SAA finish
2627-112-628	Sentinel radius trim strike SAA finish

Escutcheon

AH-2627-90-SL	Sentinel Euro Escutcheon - Silver
----------------------	-----------------------------------