

Pemko commercial thresholds

The innovative and attractive Pemko designs provide a range of internal and external door and threshold seals that meet and surpass the requirements of specifiers and end users. Unique, patented design ensures optimum performance with practical longevity.

Thresholds and Saddles

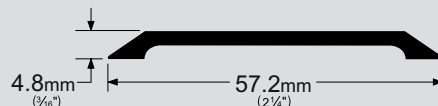
A range of threshold/saddle strips providing a simple, low level solution that can be used with masonry and wood sills to achieve an effective seal and meet all the requirements for disabled access.

- Choice of designs and sizes
- Improved weathertightness
- Reduce energy loss
- Enhanced security
- Easy to install
- Meets disability access requirements of Building Regulations - Part M

Type 173

Low level solution for use with masonry or wood sills.

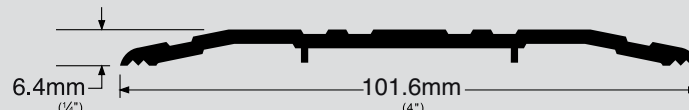
FINISHES: Mill Finish Aluminium, Mill Finish Extruded Bronze (Brass), Dark Bronze Anodized, Gold Anodized



Type 270

Low level solution for use with masonry or wood sills.

FINISHES: Mill Finish Aluminium, Mill Finish Extruded Bronze (Brass), Dark Bronze Anodized, Gold Anodized



Type 271

Low level solution for use with masonry or wood sills.

FINISHES: Mill Finish Aluminium, Mill Finish Extruded Bronze (Brass), Dark Bronze Anodized, Gold Anodized, Satin Nickel Anodized



The global leader in door opening solutions

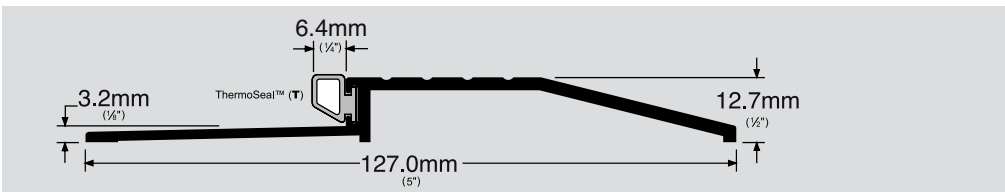
External Thresholds

A choice of low level thresholds ideal for external applications requiring improved weather sealing, thermal insulation, acoustic and smoke sealing performance. Can be used with vertical rod exit devices or as a stop and seal at the bottom of the door.

Type 2001

Low level threshold for external applications and for use with masonry or wood sills.

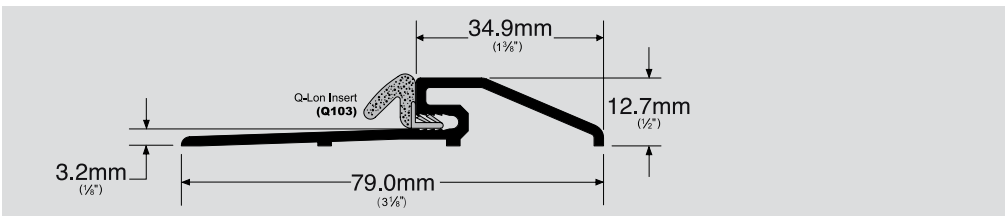
FINISHES: Mill Finish Aluminium, Dark Bronze Anodized, Gold Anodized



Type 2002

Low level threshold for external applications and for use with masonry or wood sills.

FINISHES: Mill Finish Aluminium, Dark Bronze Anodized, Gold Anodized



Acoustic Corner Pads

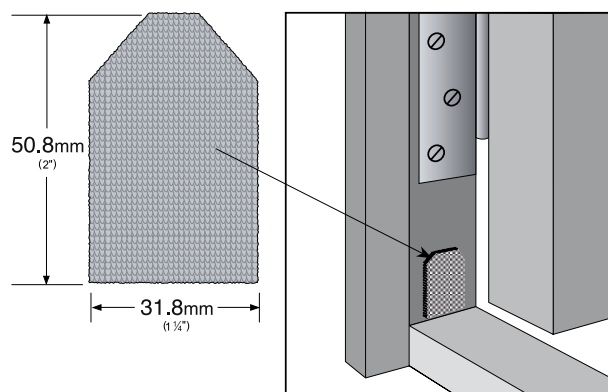
These simple, effective pads significantly reduce air flow reducing energy loss and improving sound

Type 112

Acoustic Corner pad

Low level threshold for external applications and for use with masonry or wood sills.

FINISHES: Mill Finish Aluminium, Dark Bronze Anodized, Gold Anodized



Customer Services

Tel: +44 (0)845 8734838
Fax: +44 (0)845 8734839
Email: info@adamsrite.co.uk

Technical Support

Tel: +44 (0)845 8734837

Web Site

www.adamsrite.co.uk

Adams Rite Europe Ltd.

The Meadows, Cannock Road
Wolverhampton WV10 0RR
United Kingdom

Registered in England No. 1217948
VAT Registration No. GB 207 0718 89