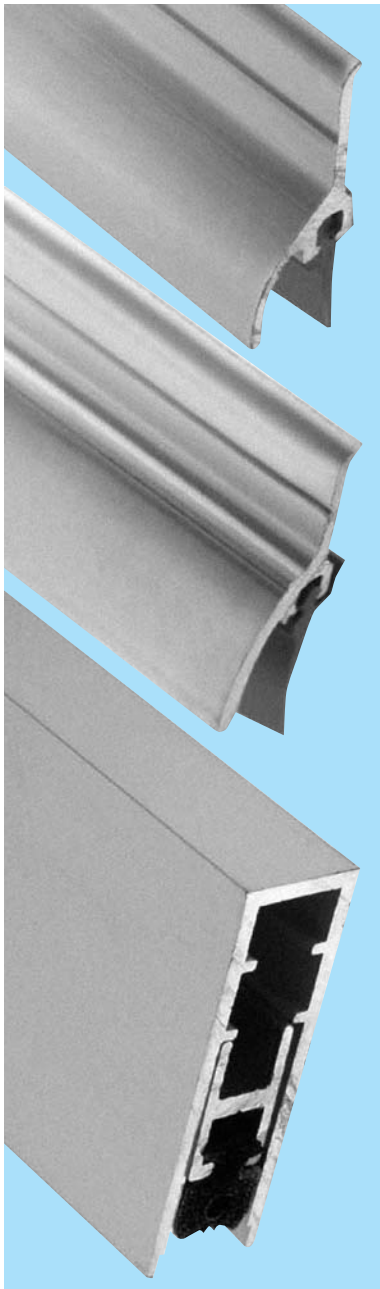


# Pemko door bottoms

A range of innovative solutions to improve thermal insulation, reduce energy loss and provides weather tightness by excluding draughts, rain, fumes, dust, light and noise



## Automatic door bottoms

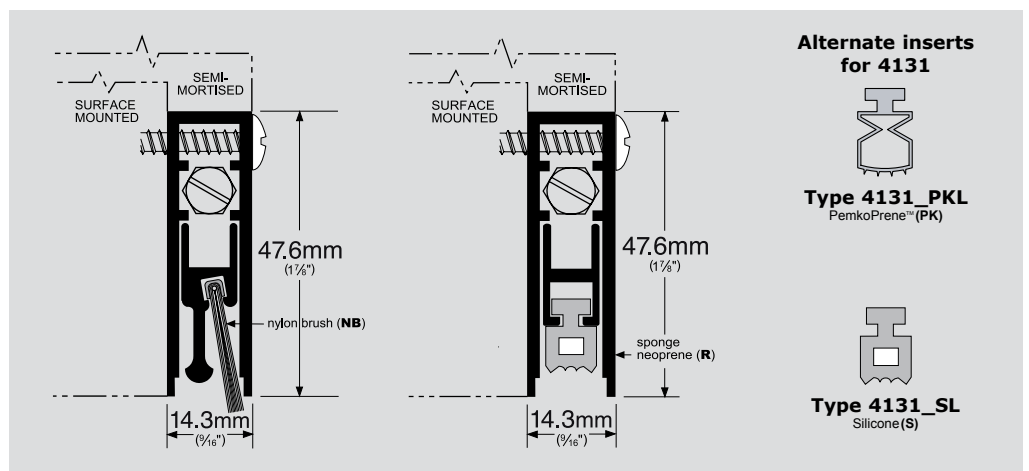
The Pemko Automatic Door Bottom is an aluminium case surrounding a movable drop-bar seal incorporating a low force mechanism. This low friction solution provides a positive seal whilst also promoting easy access for young or old and those with a mobility problem.

- Energy saving
- Effective superior seal
- Suits openings with irregular surfaces
- Non-handed and reversable
- Simple and easy installation
- Suitable for wood and metal doors
- Certified performance

### Type 4131

Black nylon end plates protect mechanism and keep it free from debris and provide clean, aesthetic appearance. Plunger end plate prevents rotation. Available in all sizes from 18" - 72". DO NOT TIGHTEN WITH A POWER TOOL.

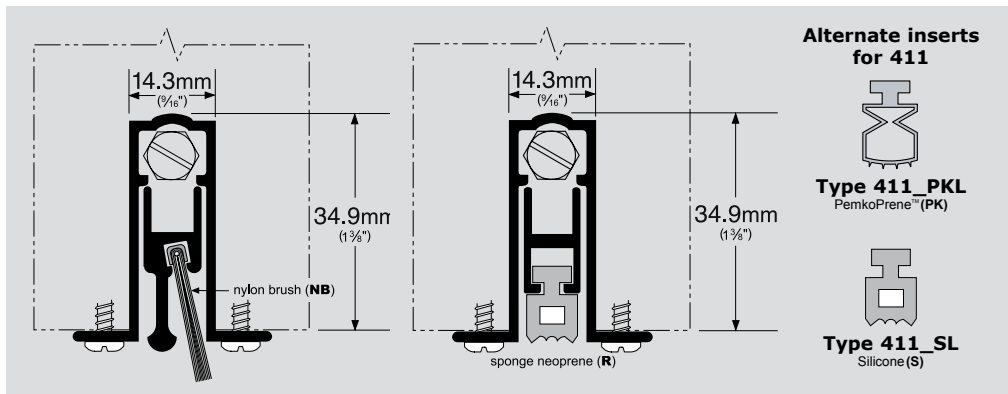
FINISHES: Clear Anodized, Dark Bronze Anodized, Satin Nickel Anodized,



### Type 411

Aluminium end plates protect mechanism and enhance aesthetic appearance.

FINISHES: Aluminium only



### Door Shoes

Pemko offers an innovative range of door shoes for internal and external doors providing high performance energy conservation, weather protection and enhanced security

#### Type 210

Includes rain drip to deflect rain away from the bottom of the door.

FINISHES: Mill Finish Aluminium, Bright Dip Gold Anodized, Dark Bronze Anodized, Gold Anodized, Painted White, Satin Nickel Anodized

#### Type 234

FINISHES: Mill Finish Aluminium, Dark Bronze Anodized, Gold Anodized

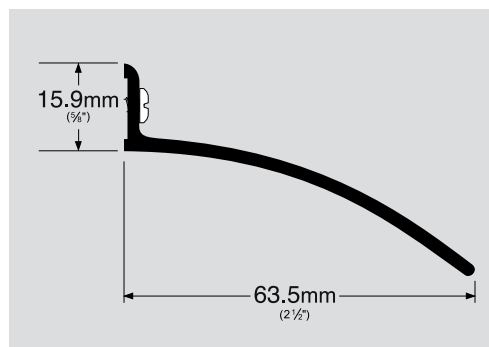
### Overhead Drip Bar

A simple and effective device to ensure weather protection at an external door head exposed to the elements.

#### Type 346

Simple to fit and slotted to ensure easy adjustment. Should be ordered a minimum of 4" larger than door width.

FINISHES: Clear Anodized, Dark Bronze Anodized, Gold Anodized, Painted White

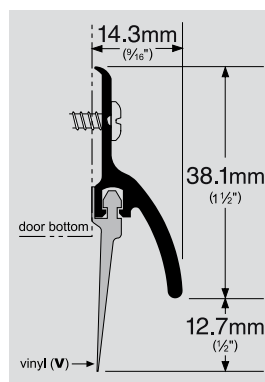


### Door Bottom Rain Drip Bar

Suitable for 'opening out' external doors in exposed situations where extreme weather conditions are experienced.

#### Type 345

FINISHES: Mill Finish Aluminium, Mill Finish Extruded Bronze (Brass), Bright Dip Gold Anodized, Dark Bronze Anodized, Gold Anodized, Painted White



#### Customer Services

Tel: +44 (0)845 8734838  
Fax: +44 (0)845 8734839  
Email: [info@adamsrite.co.uk](mailto:info@adamsrite.co.uk)

#### Technical Support

Tel: +44 (0)845 8734837

#### Web Site

[www.adamsrite.co.uk](http://www.adamsrite.co.uk)

#### Adams Rite Europe Ltd.

The Meadows, Cannock Road  
Wolverhampton WV10 0RR  
United Kingdom

Registered in England No. 1217948  
VAT Registration No. GB 207 0718 89