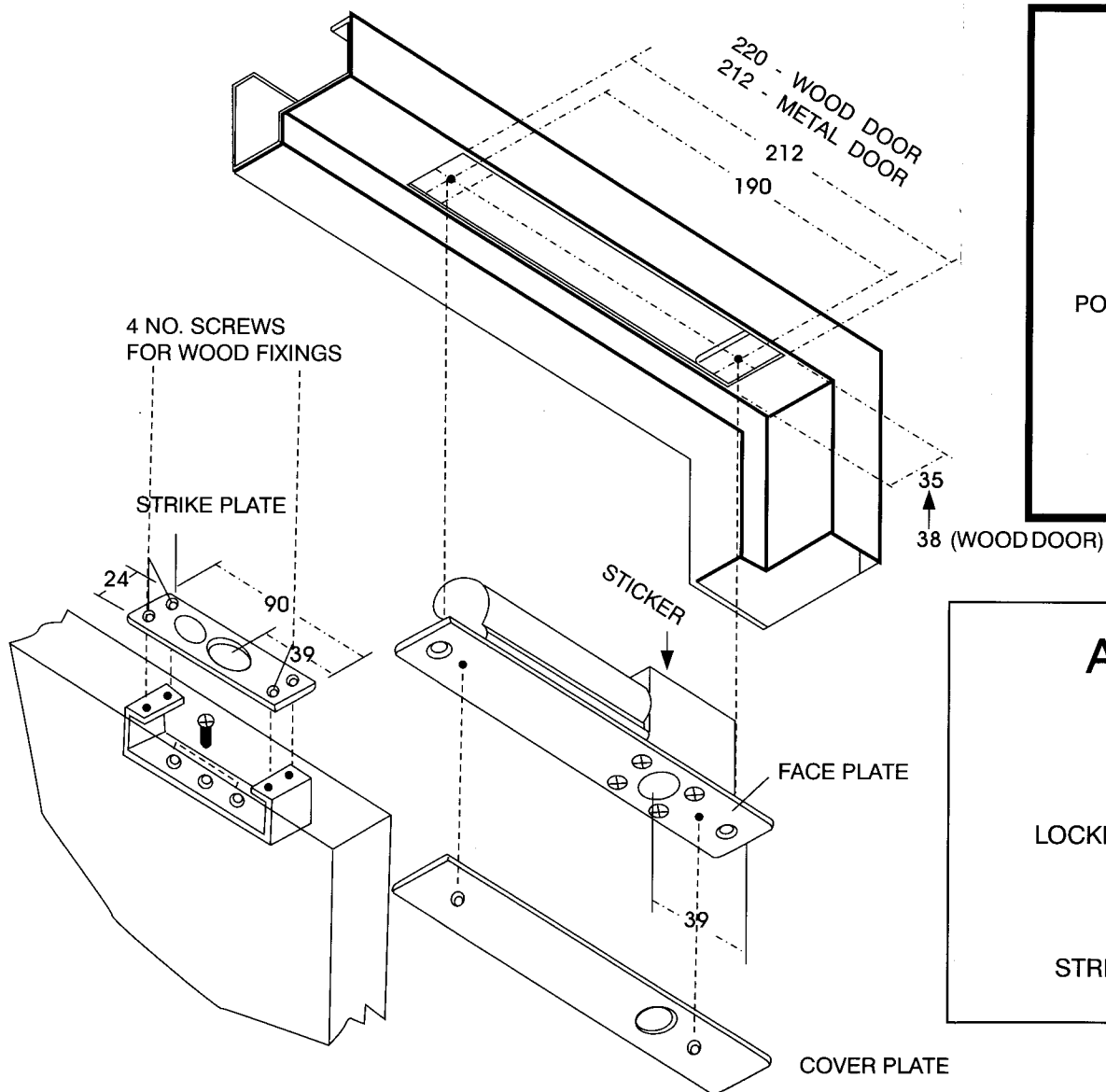


# TEMPLATE

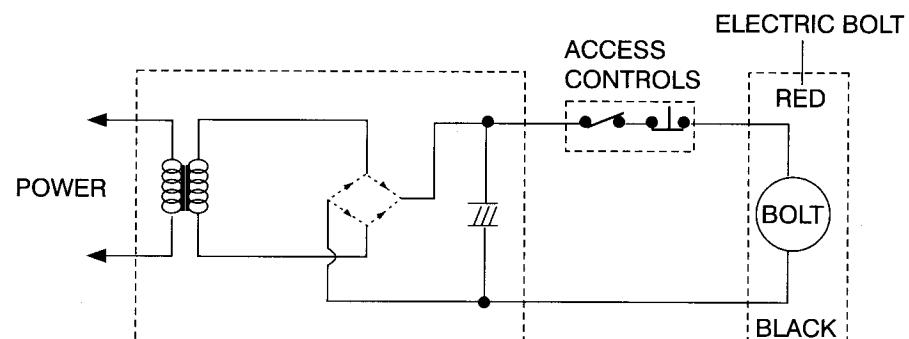
# ELECTRIC BOLT

ITEM NO. 1391

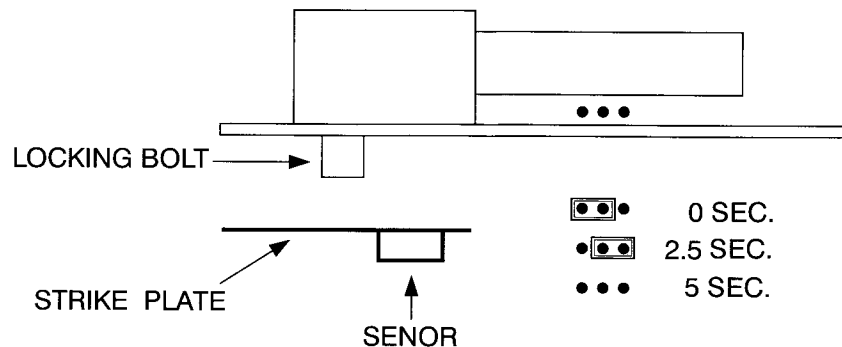
NB.  
THIS PRODUCTS IS NOT RECOMMENDED FOR INSTALLATION  
INTO THE THRESHOLD OR BOTTOM RAIL OF THE DOOR.



## WIRING INSTRUCTION



## AUTOLOCK TIME DELAY SETTING



NB. THE STRIKE PLATE MUST BE IN POSITION AND FITTED  
CORRECTLY IN ORDER FOR THE LOCK TO OPERATE.

# ELECTRIC BOLT

## 1. SPECIFICATIONS

STANDARD VOLTAGE: 12VDC 0.9Amp, 24VDC 0.5Amp.

RED → POSITIVE (+)

BLACK → GROUND (-)

REVERSE POLARITY PROTECTION

SOLENOID : CONTINUOUS DUTY

CURRENT : START 0.9A, STANDBY 0.3A. AT 12VDC, START 0.5A, STANDBY 0.15A AT 24VDC

AUTOMATIC DEADBOLT : STANDARD ON ALL MODELS

AUTO RELOCK JUMPER : ADJUSTABLE (FROM 0 TO 5 SECONDS)

FAIL SAFE : LOCKED WHEN ENERGIZED (POWER TO LOCKED FAIL UNLOCKED).

BOLT : 15.5mm DIA. STAINLESS STEEL 16mm THROW.

CUTOUT : SIZE 212mmL × 35mmW (A 43mm Backset minimum must be present)

COVER PLATE : SIZE 220mm × 38mmW × 0.8mmD.

FACE PLATE : SIZE 210mmL × 34mmW × 3mmD.

STRIKE : SIZE 90mmL × 24mmW × 27mmD.

MOUNTING HARDWARE : 2PC. EXT. PLATE.

5PC. M5 × 15 LONG SCREWS.

8PC. M4 × 11 LONG SCREWS.

WEIGHT : 0.9KGS.

## 2. OPTIONS

SIGNAL:

LOCK STATUS SENSOR : INDICATES BOLT LOCKED OR UNLOCKED.

BLUE : NORMALLY OPEN

WHITE : COMMON

YELLOW : NORMALLY CLOSED

SWITCH DATA : SPDT 1.0amp. 30V AC/DC.

DOOR POSITION SENSOR : INDICATES DOOR OPEN OR CLOSED.

GREEN : NORMALLY OPEN

GREY : COMMON

ORANGE : NORMALLY CLOSED

SWITCH DATA : SPDT 0.5amp. 30V AC/DC. (MAGNETIC REED SWITCH).

\*\*\* NOTE: ALL DATA ARE SUBJECT TO CHANGE WITHOUT NOTICE.