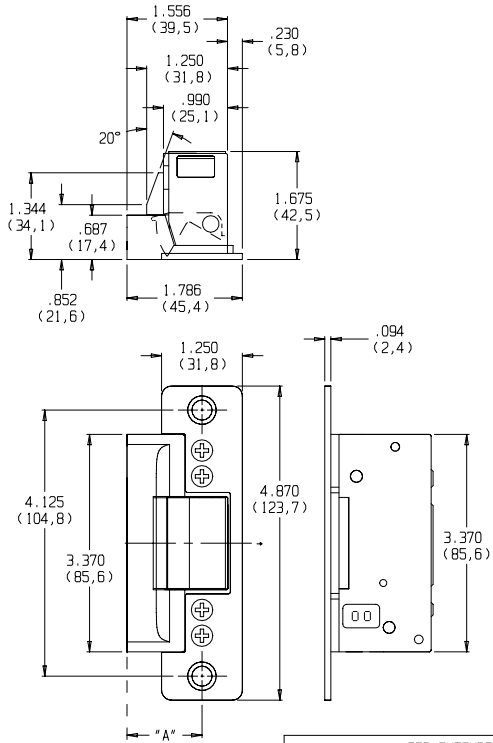
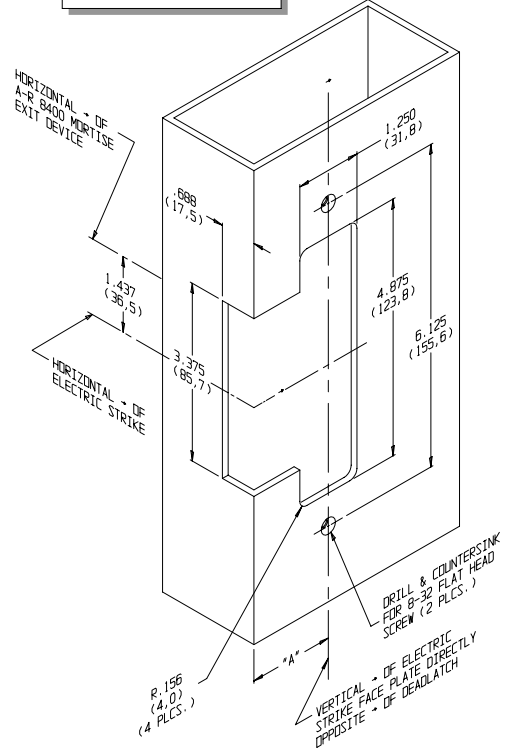


ELECTRIC STRIKE DIMENSIONS



JAMB PREPARATION



FOR EXTENDED LIP: (DIM "A" DOOR - TO JAMB EDGE)

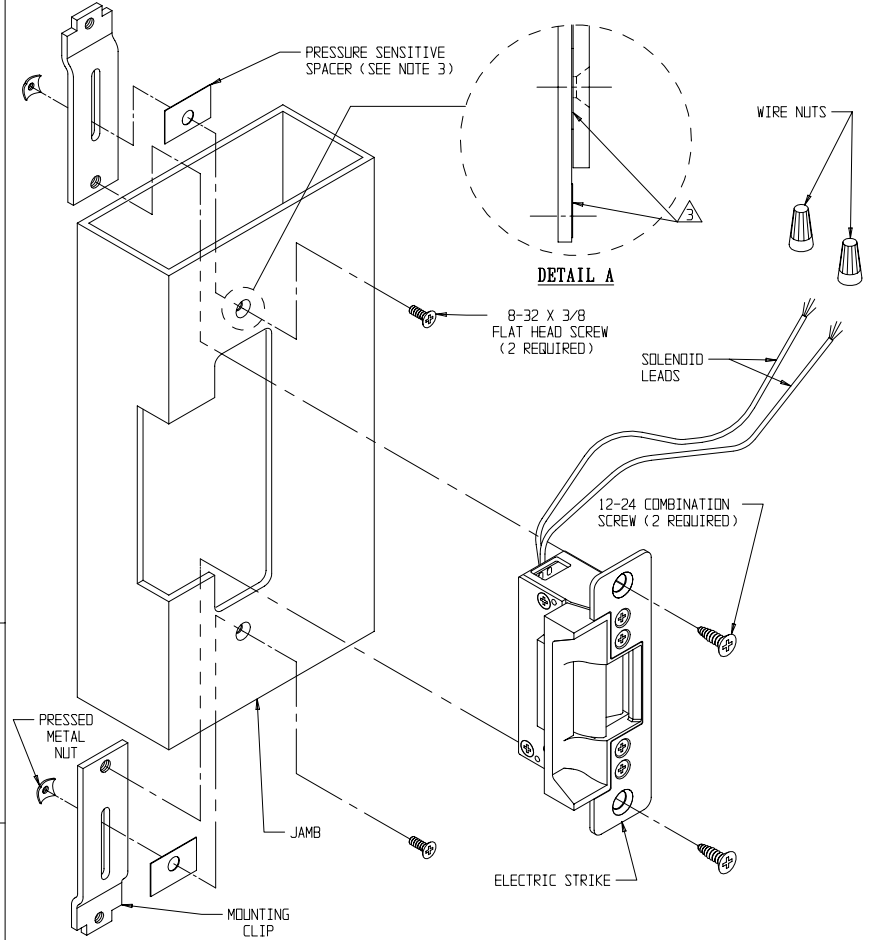
| DASH NO. | DIM "A" | DASH NO. | DIM "A" | DASH NO. | DIM "A" |
|----------|---------|----------|---------|----------|---------|
| NONE | 1.06 | -05 | 2.00 | -10 | 2.63 |
| -01 | 1.50 | -06 | 2.13 | -11 | 2.75 |
| -02 | 1.63 | -07 | 2.25 | -12 | 2.88 |
| -03 | 1.75 | -08 | 2.38 | -13 | 3.00 |
| -04 | 1.88 | -09 | 2.50 | | |

STANDARD UNIT FITS DIM. "A" UP TO 1.06" (SEE DASH NO.)

INSTALLATION INSTRUCTIONS

1. PREPARE DOOR JAMB PER DRAWING.
2. INSTALL MOUNTING CLIPS TO JAMB USING 8-32 x 3/8 SCREWS & PRESSED METAL NUTS. LEAVE SCREWS SLIGHTLY LOOSE TO PERMIT EASY ALIGNMENT OF CASE ASSEMBLY & CLIPS.
3. SPACERS ARE PROVIDED TO ASSURE FLUSH FINAL ASSEMBLY OF FACE PLATE & JAMB. ADD ONE OR MORE SPACERS BETWEEN JAMB & MOUNTING CLIP WHEN FACE PLATE EXTENDS BEYOND THE JAMB. WHEN THE FACE PLATE SETS INSIDE THE JAMB, SPACERS MUST BE ADDED BETWEEN THE MOUNTING CLIP & THE ELECTRIC STRIKE FACE PLATE. SEE DETAIL "A" TO ATTACH SPACER TO MOUNTING CLIP. REMOVE PROTECTIVE COATING FROM SPACER & PRESS TO DESIRED MOUNTING CLIP SURFACE. MAKE SURE CLEARANCE HOLE IN SPACER ALIGNS WITH HOLE IN MOUNTING CLIP.
4. ATTACH SUBCOVER AND FACE PLATE TO THE CASE ASSEMBLY USING FOUR 8-32 X 1/4 SCREWS.
5. USING WIRE NUTS PROVIDED, CONNECT WIRES COMING FROM THE STRIKE TO THE WIRES COMING FROM THE LOW VOLTAGE SIDE OF THE TRANSFORMER.
6. INSERT ELECTRIC STRIKE INTO JAMB AND ATTACH TO THE CLIPS USING TWO #12 COMBINATION SCREWS.
7. SECURE 8-32 SCREWS HOLDING MOUNTING CLIPS TO JAMB.

| STATIC STRENGTH | DYNAMIC STRENGTH | ENDURANCE |
|-----------------|---------------------|----------------|
| 1500 lbs. | 70-foot-pound-force | 250,000 cycles |



ADAMS RITE MANUFACTURING COMPANY
 CITY OF INDUSTRY, CA 91749

7108 ELECTRIC STRIKE
 FOR ALUMINUM JAMB WITH
 8400 MORTISE EXIT

REF. TEMPLATE NO. : 52080-0

PART NO. : 80-0180-356
 REV. : C
 ECN : 9580
 DATE : 03-06-97

Notes:

Fail-Secure Operation - Unlocks when energized. If power fails the strike remains in a locked condition.

Fail-Safe Operation - Locks when energized. Used in applications requiring automatic unlocking in case of power failure.

Available Voltages: 12V AC Intermittent duty, 12V AC/DC Continuous duty, 16V AC Intermittent duty, 16V AC/DC Continuous duty, 24V AC Intermittent duty, 24V AC/DC Continuous duty.

Warning !

AC Intermittent duty solenoids are designed to be energized 30 seconds at a time. Energizing for longer periods will damage the solenoid.

AC Continuous duty strikes are supplied with a A/R # 4603 rectifier attached to the solenoid leads. These are silent operation strikes - without the "buzzing" sound. They use a DC solenoid with an externally attached, full-wave bridge rectifier.

Wiring

The number of wires will vary depending on features of the strike. The voltage and amperage ratings are marked on all strike labels. The solenoid wires are not polarized.

Monitoring (Optional)

Monitored strikes contain two, internally mounted, switches: one is activated by the latch bolt's penetration of the strike and the other indicates that the strike jaw is either locked or unlocked by the solenoid.

All unused leads from monitor switches should be insulated.

- Common contact -Black
- Normally open contact (NO) -White
- Normally closed contact (NC) -Red
- Maximum switching current -7 Amps @ 250 VAC

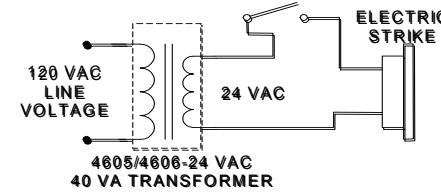
Warning !

Intermittent duty solenoids should not be converted to fail-safe configuration. Fail-safe units use only continuous duty solenoids.

Solenoid Data

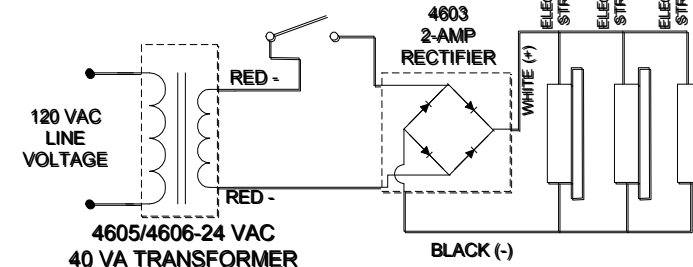
| | | | | | | |
|--------------|------------------------|----------------------------|-----------------------------------|-----------------------------------|----------------------------------|----------------------------------|
| 24 VDC CONT. | WHITE STRIPE ON BLACK | 141.6 | .170 | .170 | 4.09 | 4.09 |
| 16 VDC CONT. | GREEN STRIPE ON BLACK | 61.8 | .222 | .222 | 3.05 | 3.05 |
| 12 VDC CONT. | RED STRIPE ON BLACK | 34.6 | .332 | .332 | 3.81 | 3.81 |
| 24 VAC INT. | | | .744 | .431 | 19.15 | 6.43 |
| 16 VAC INT. | BLUE STRIPE ON BLACK | 16.3 | 1.030 | .636 | 17.30 | 6.60 |
| 12 VAC INT. | YELLOW STRIPE ON BLACK | 8.8 | 1.420 | .813 | 17.74 | 5.82 |
| DESCRIPTION | WIRE COLOR | COIL RESISTANCE (OHMS ±5%) | PEAK INSTANTANEOUS CURRENT (AMPS) | CONTINUOUS OR HOLD CURRENT (AMPS) | PEAK INSTANTANEOUS POWER (WATTS) | CONTINUOUS OR HOLD POWER (WATTS) |

Control Switch (N.O.)
(ex. Pushbutton, keypad, Card Reader)
DRY CONTACTS!



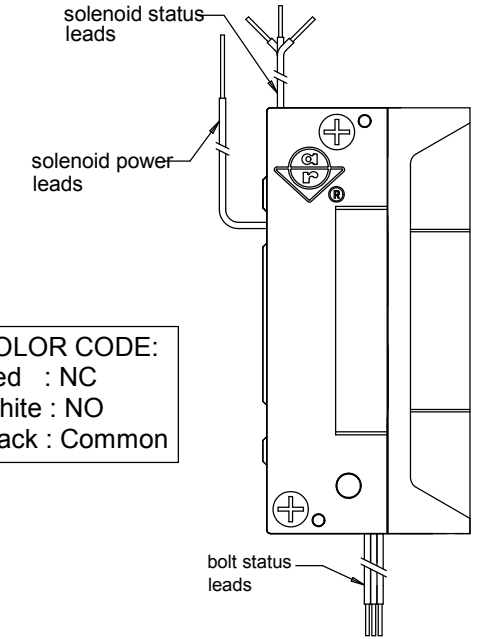
**TYPICAL ELECTRIC STRIKE WIRING DIAGRAM
INTERMITTENT DUTY FAIL-SECURE 24 VAC**

Control Switch (N.O.)
(ex. Pushbutton, keypad, Card Reader)
DRY CONTACTS!



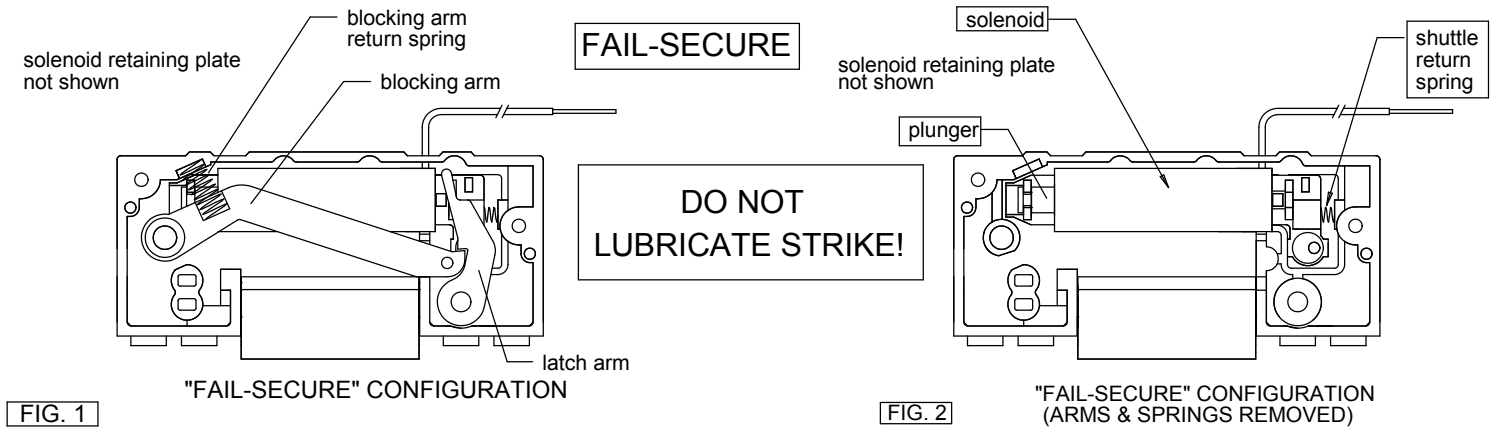
**TYPICAL ELECTRIC STRIKE WIRING DIAGRAM
INTERMITTENT/CONTINUOUS DUTY 24 VDC**

WIRE CODING (MONITORED VERSION)



COLOR CODE:
Red : NC
White : NO
Black : Common

FIELD REVERSIBLE (FAIL-SECURE)



FIELD REVERSIBLE (FAIL-SAFE)

