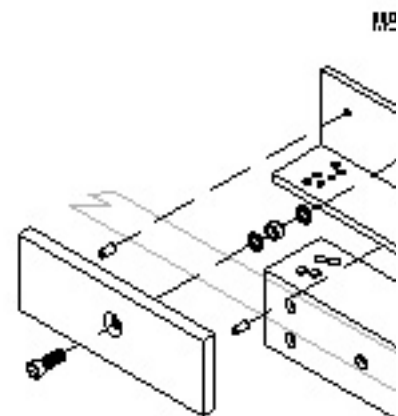
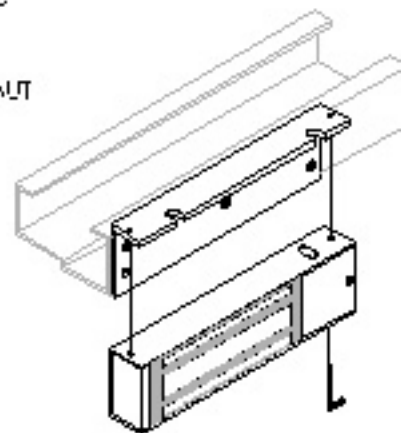
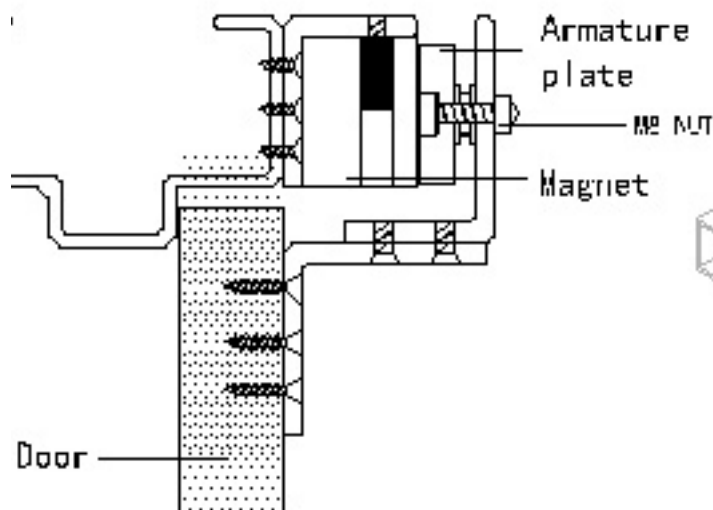


Picture	Quantity	Specification	260 SERIES	280 SERIES
	2	SPACER 16. 1L*9. 50D*71Dmm	<input checked="" type="checkbox"/>	<input type="checkbox"/>
	2	M4*30mm SCREW (NYLOCKED)	<input checked="" type="checkbox"/>	<input type="checkbox"/>
	3	M4 NUT	<input checked="" type="checkbox"/>	<input type="checkbox"/>
	2	M6*35mm SCREW (NYLOCKED)	<input type="checkbox"/>	<input checked="" type="checkbox"/>
	3	M6 NUT	<input type="checkbox"/>	<input checked="" type="checkbox"/>
	2	SPACER 13. 1L*70D*4. 51Dmm	<input type="checkbox"/>	<input checked="" type="checkbox"/>

INSTALLATION OF L&Z BRACKET (ADJUSTABLE)



Picture	Quantity	Specification	260 SERIES	280 SERIES
	2	SPACER 16. 1L*9. 50D*71Dmm	<input checked="" type="checkbox"/>	<input type="checkbox"/>
	6	M4*12mm MACHINE SCREW	<input checked="" type="checkbox"/>	<input type="checkbox"/>
	1	ARMATURE BOLT M6*20mm RUBBER	<input checked="" type="checkbox"/>	<input type="checkbox"/>
	3	M6 NUT	<input checked="" type="checkbox"/>	<input type="checkbox"/>
	2	M6*35mm SCREW (NYLOCKED)	<input checked="" type="checkbox"/>	<input type="checkbox"/>